

J-2000

English version

EDITION - 10/2015

CODE - 0

Parts catalog



MEQUINAS AGRICOLAS JACTO S.A.

Rua Dr. Luiz Miranda, 1650

17580-000 - Pompéia - SP - Brasil

Tel.: +55 14 3405-2100 - Fax: +55 14 3452 1306

[E-mail: export@jacto.com.br](mailto:export@jacto.com.br)

Home page: <http://www.jacto.com.br>

J-2000/2600

EQUIPMENT	PAGE
J-2000.....	4

J-2000
(Edition: 2015/10)

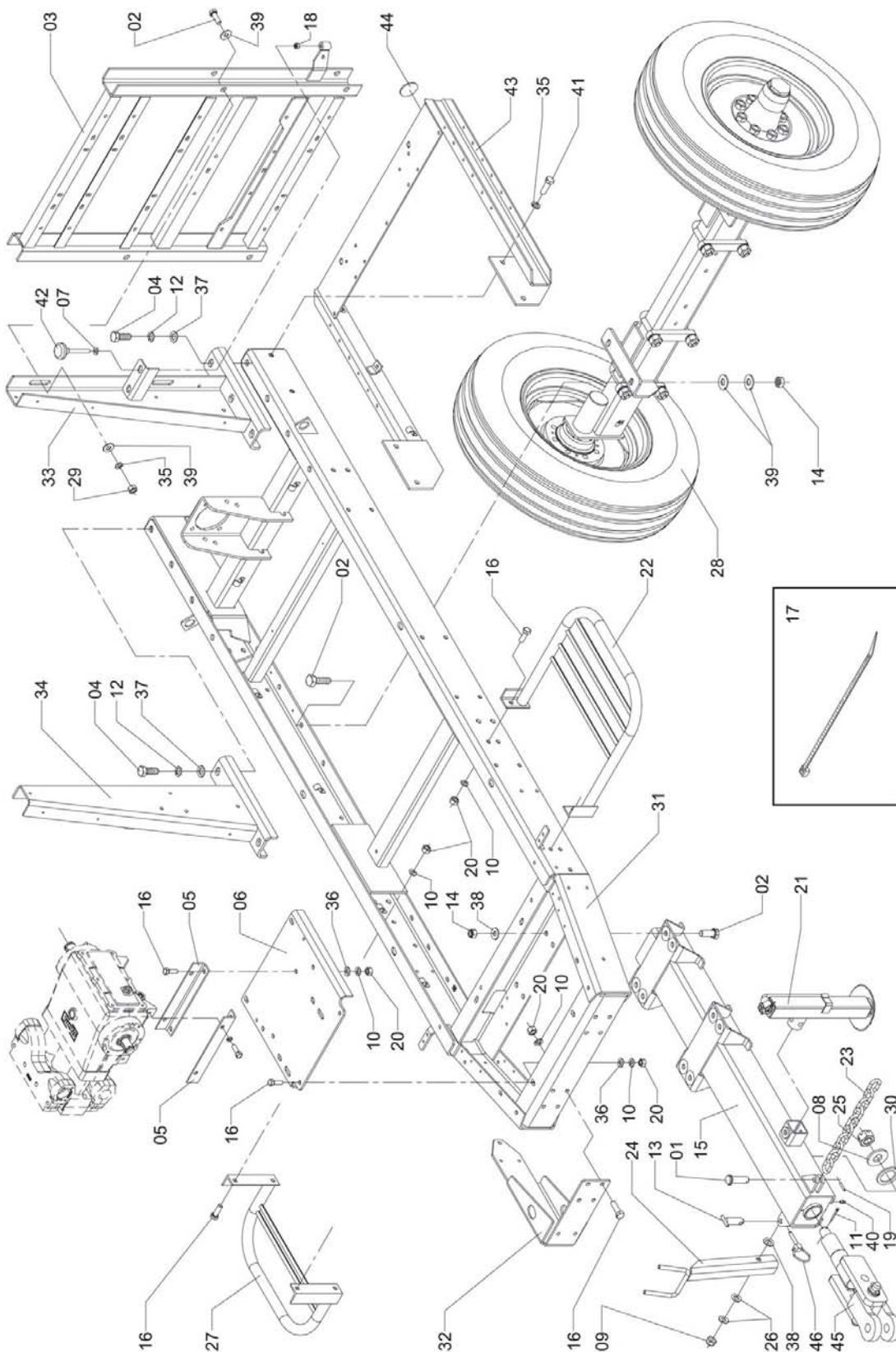
ENTIRE ASSEMBLIES	PAGE
ACCESSORIES BOX	
15-LITER TANK ASSEMBLY	77
ACCESSORIES BOX (J2000)	38
ASSEMBLY - COMBINATION WRENCH + SCREW WRENCH (FOR EXPORT)	74
ASSEMBLY (15-LITER CONTAINER + SUPPORT)	76
CLIP PLATE	75
FILLER UNIT - 100 L/MIN (5-METERS HOSE)	79
FILLER UNIT - 100 L/MIN. (10-METERS HOSE)	78
FILLER UNIT (40 L/MIN.) WITHOUT HOSE	40
SPRAY LANCE ASSEMBLY	80
CHEMICAL CIRCUIT AND COMPLEMENTS	
CHEMICAL CIRCUIT (JP-50 / MF 4 W)	26
FLEXIBLE COUPLING 9	59
HOSE - CONTROL / PUMP	66
HOSE - FILTER / JUMP	63
HOSE - FILTER / TANK	64
HOSE - RINSE NOZZLE / CONTROL	65
HOSE ASSEMBLY	24
JP-50 PISTON PUMP	18
LEVEL INDICATOR	67
LEVEL INDICATOR	62
LEVEL INDICATOR NO. 11	61
PUMP VALVE	60
SPRAY PUMP JP-100	20
SUCTION FILTER WITH VALVE FOR 200 LITERS	22
CHEMICAL CONTAINER RINSE NOZZLE KIT	
CHEMICAL CONTAINER RINSE NOZZLE	86
CHEMICAL CONTAINER RINSE NOZZLE KIT	87
CHEMICAL CONTAINER RINSE NOZZLE ROD	88
DIRECTIONAL VALVE	85
CHEMICAL CONTROL AND COMPLEMENTS	
CABLE ACTUATION BOX	71
CABLE ACTUATION BOX	72
CABLE BRANCH ASSEMBLY WITH SENSOR	30
CONTROL - MF2000/2 CABLES - J2000	69
MANUAL QUICK RELIEF ASSEMBLY	34
MANUAL QUICK RELIEF ASSEMBLY	36
MASTERFLOW CONTROL 2000 - 2X2 LEVER AND CABLE	28
RIGHT NOZZLE BRANCH	32
SAFETY VALVE	70
SAFETY VALVE	73
DRIVE TRANSMISSION AND COMPLEMENTS	
DRIVE PULLEY WITH GEAR	91
DRIVE TRANSMISSION	89
FAN	92
FAN BEARING ASSEMBLY	93
FAN HOUSING COVER	95
GROOVED HUB WITH HITCH	94
MULTIPLIER ASSEMBLY WITH PULLEY	90
PTO SHAFT Y COMPLEMENTS	
WIDE ANGLE CV PTO SHAFT	68
SPRAY APPLICATION ASSEMBLY	
APPLICATION ASSEMBLY	55
EXTENSION ASSEMBLY	16
HYDRAULIC CYLINDER 32 X 100 WITH NIPPLE	58
INTERMEDIARY DUCT - JS2000 (ROTATING)	56
UPPER DUCT ASSEMBLY - J2000	57
STICKERS	
DECAL (J2000)	100
STICKER - "ANTI-FREEZING TEST OK"	101
STICKER (TRAILER ARBUS LINE)	46
STICKER: (J2000)	99
STICKER: DRAWBAR ADJUSTMENT (ENGLISH)	98
STICKER: DRAWBAR ADJUSTMENT (PORTUGUE)	97
STICKER: DRAWBAR ADJUSTMENT (SPANISH)	96
STICKERS: (J2000)	44

J-2000
(Edition: 2015/10)

Continuation

ENTIRE ASSEMBLIES	PAGE
TANK AND COMPLEMENTS	
2000-LITER TANK	42
2000-LITER TANK WITH BASE (PLASTIC)	83
ITALIAN LID	84
MECHANICAL AGITATOR 2005 - 02	81
TIGHTENING PULLEY ASSEMBLY 78-1A (SHAFT \varnothing 15 X 50,5)	82
TRAILER AND COMPLEMENTS	
ADJUSTABLE AXLE NO 15	10
ADJUSTABLE AXLE NR. 13	12
ARTICULATED HITCH	50
ARTICULATED HITCH ASSEMBLY - TRACTOR CLASS "I" ASAE	54
JACK NO. 10	48
PROTECTION ASSEMBLY	14
TANDEM AXLE	53
TIRE ASSEMBLY 11LB X 15 WITH 8-HOLE WHEEL	51
TIRE ASSEMBLY 7.50 X 16 WITH 8-HOLE WHEEL	52
TRAILER ASSEMBLY (ADJUSTABLE AXLE N.13)	8
TRAILER ASSEMBLY (ADJUSTABLE AXLE N.15)	6
WHEEL HUB ASSEMBLY - 8 HOLES	49

TRAILER ASSEMBLY (ADJUSTABLE AXLE N.15)



C-809

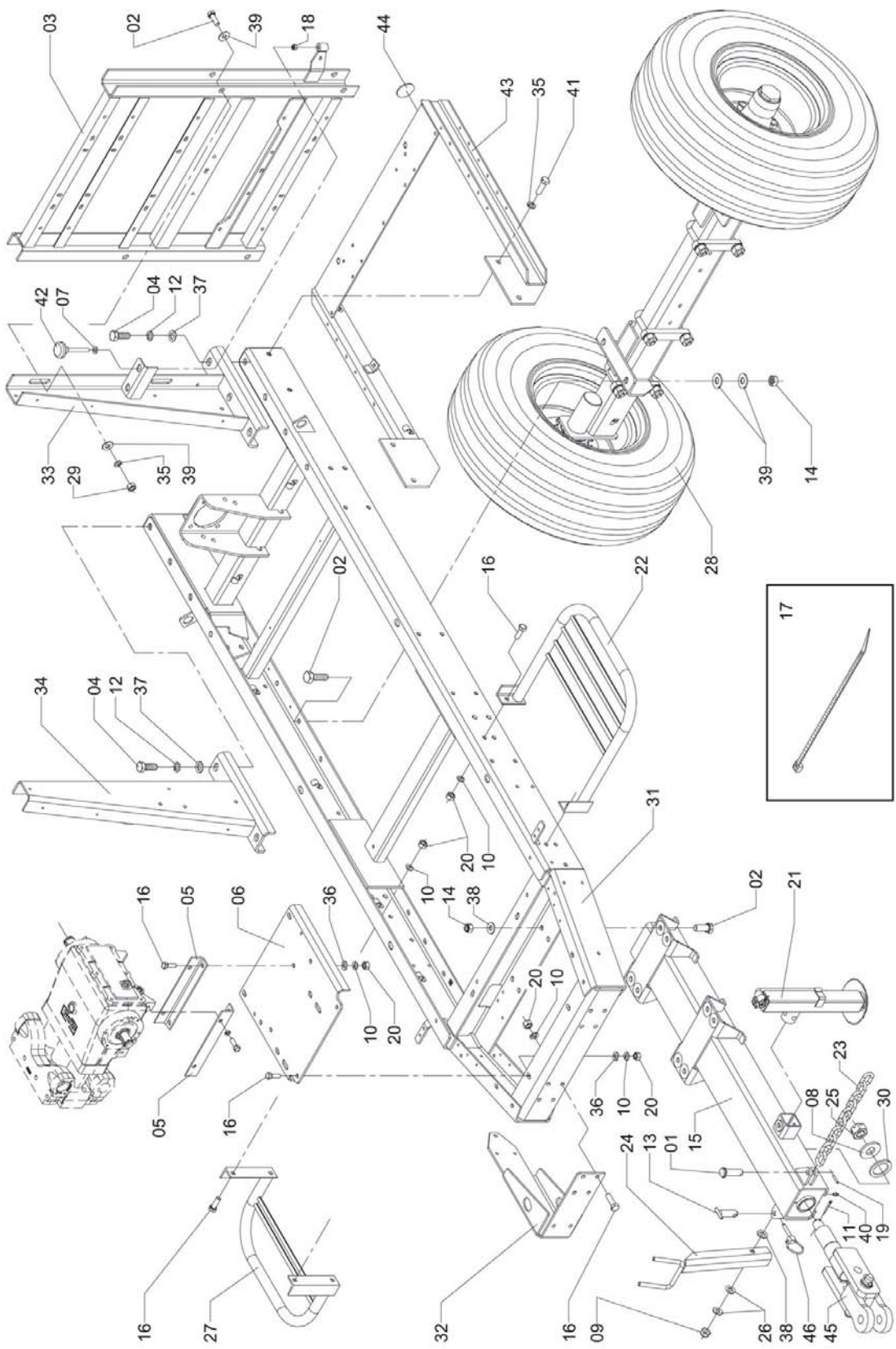
TRAILER ASSEMBLY (ADJUSTABLE AXLE N.15)

Continuation

Item	CODE	DESCRIPTION	Qty.	Item	CODE	DESCRIPTION	Qty.
00	167510	Trailer assembly (Adjustable axle n.15)	1				
01	104836	Cylinder axle	1				
02	984963	Hex. bolt M16 x 50 x 1.50	16				
03	174102	Fan Frame	1				
04	174334	Hex. head bolt M20 x 50 x 1.50 - CL. 8.8	6				
05	175315	Pump support	2				
06	179267	Pump base	1				
07	881292	Flat washer 135 x 320 x 30	2				
08	001982	Flat washer 300 x 650 x 63	1				
09	202663	Hex. nut 1/2" - 13 UNC	1				
10	209163	Lock washer M12	18				
11	209783	Cotter pin \varnothing 4.75 x 38.1	1				
12	211102	Lock washer 20	6				
13	118190	Chain fastening pin	1				
14	044107	Parlock hex. nut M16 x 1.50	12				
15	233833	Trailer tongue	1				
16	280925	Hex. head bolt M12 x 35 x 1,50	18				
17	323584	Hose tie	1				
18	326280	Nut \varnothing 1/2" UNC	2				
19	330076	Flexible pin \varnothing 4 x 16 (heavy)	1				
20	427013	Nut ABTN - 1020 thread M12 x 1,5 CL8	18				
21	431064	Jack no. 10	1				
22	437616	Platform	1				
23	118216	Chain 2200	1				
24	556704	PTO shaft support	1				
25	625160	Castle nut 1.1/8" - 7 UNC	1				
26	715979	Flat spring	2				
27	724344	Filter guard rail	1				
28	073320	Adjustable axle no 15	1				
29	742015	Nut M16 x 1.50	4				
30	007567	Flat washer 500 x 700 x 47.5	1				
31	076109	Chassi	1				
32	076216	Pump protector	1				
33	076265	Left column	1				
34	076273	Right column	1				
35	764142	Lock washer M16	8				
36	818112	Flat washer 130 x 240 x 30	8				
37	818153	Flat washer 210 x 370 x 30	6				
38	881243	Flat washer \varnothing 17 x 30 x 1,9 - stainless steel	9				
39	881300	Flat washer 170 x 380 x 3.0	16				
40	910463	Grease nipple 1/4" - 28 UNF	1				
41	934422	Hex. bolt M16 x 50	4				
42	941948	Tightening screw \varnothing 1/2" - 13 UNC	2				
43	941971	Rear bumper	1				
44	097360	Reflector	2				
45	1145214	Articulated Hitch	1				
46	330407	Universal lock pin 5/16"	1				

Controlled copy – Distribution and reproduction prohibited

TRAILER ASSEMBLY (ADJUSTABLE AXLE N.13)



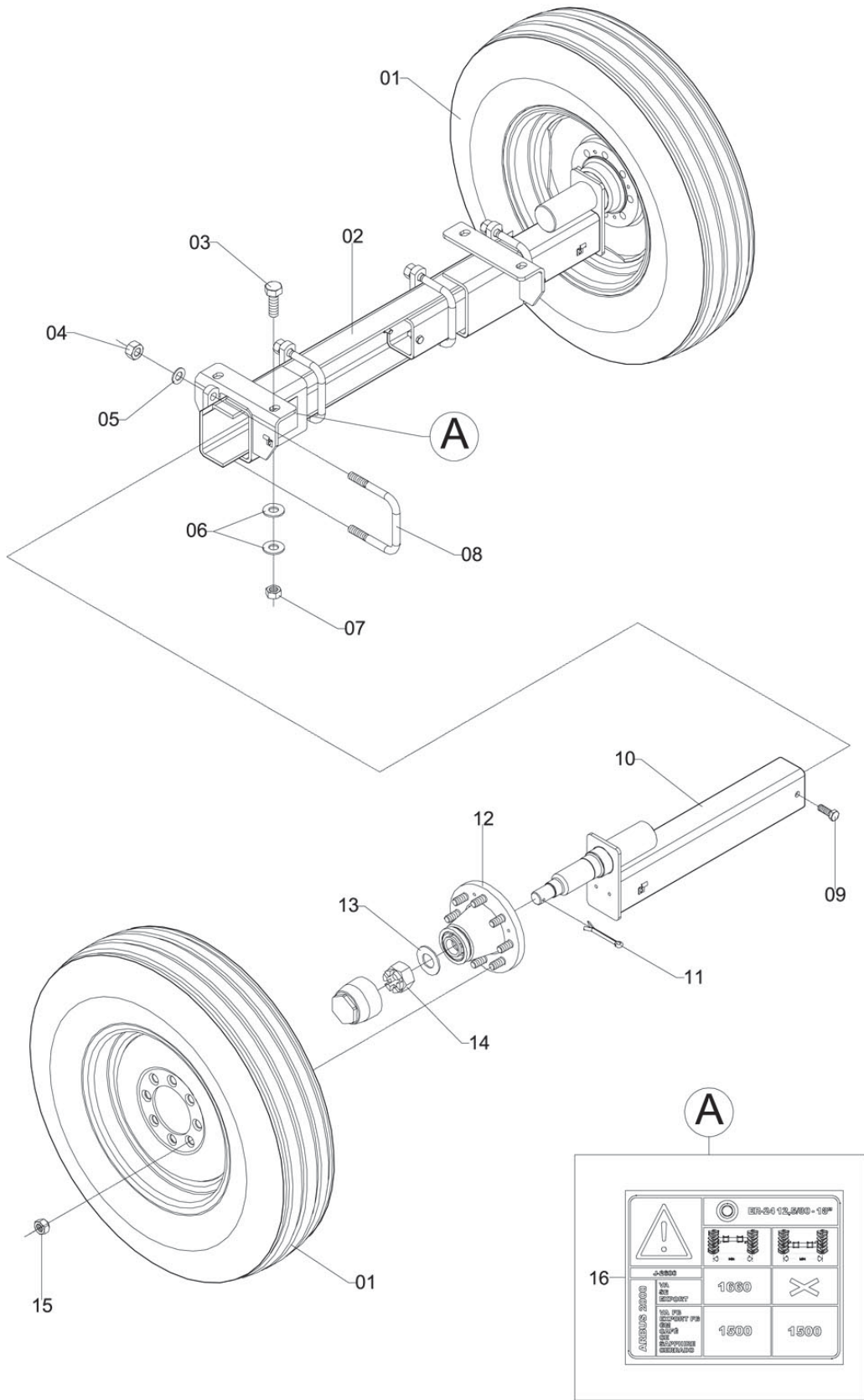
C-808

TRAILER ASSEMBLY (ADJUSTABLE AXLE N.13)

Continuation

Item	CODE	DESCRIPTION	Qty.	Item	CODE	DESCRIPTION	Qty.
00	279695	Trailer assembly (Adjustable axle n.13)	1				
01	104836	Cylinder axle	1				
02	984963	Hex. bolt M16 x 50 x 1.50	16				
03	174102	Fan Frame	1				
04	174334	Hex. head bolt M20 x 50 x 1.50 - CL. 8.8	6				
05	175315	Pump support	2				
06	179267	Pump base	1				
07	881292	Flat washer 135 x 320 x 30	2				
08	001982	Flat washer 300 x 650 x 63	1				
09	202663	Hex. nut 1/2" - 13 UNC	1				
10	209163	Lock washer M12	18				
11	209783	Cotter pin w 4.75 x 38.1	1				
12	211102	Lock washer 20	6				
13	118190	Chain fastening pin	1				
14	044107	Parlock hex. nut M16 x 1.50	12				
15	233833	Trailer tongue	1				
16	280925	Hex. head bolt M12 x 35 x 1,50	18				
17	323584	Hose tie	1				
18	326280	Nut w 1/2" UNC	2				
19	330076	Flexible pin w 4 x 16 (heavy)	1				
20	427013	Nut ABTN - 1020 thread M12 x 1,5 CL8	18				
21	431064	Jack no. 10	1				
22	437616	Platform	1				
23	118216	Chain 2200	1				
24	556704	PTO shaft support	1				
25	625160	Castle nut 1.1/8" - 7 UNC	1				
26	715979	Flat spring	2				
27	724344	Filter guard rail	1				
28	997551	Adjustable axle nr. 13	1				
29	742015	Nut M16 x 1.50	4				
30	007567	Flat washer 500 x 700 x 47.5	1				
31	076109	Chassi	1				
32	076216	Pump protector	1				
33	076265	Left column	1				
34	076273	Right column	1				
35	764142	Lock washer M16	8				
36	818112	Flat washer 130 x 240 x 30	8				
37	818153	Flat washer 210 x 370 x 30	6				
38	881243	Flat washer w 17 x 30 x 1,9 - stainless steel	9				
39	881300	Flat washer 170 x 380 x 3.0	16				
40	910463	Grease nipple 1/4" - 28 UNF	1				
41	934422	Hex. bolt M16 x 50	4				
42	941948	Tightening screw w 1/2" - 13 UNC	2				
43	941971	Rear bumper	1				
44	097360	Reflector	2				
45	1145214	Articulated Hitch	1				
46	330407	Universal lock pin 5/16"	1				

ADJUSTABLE AXLE NO 15



EX-231

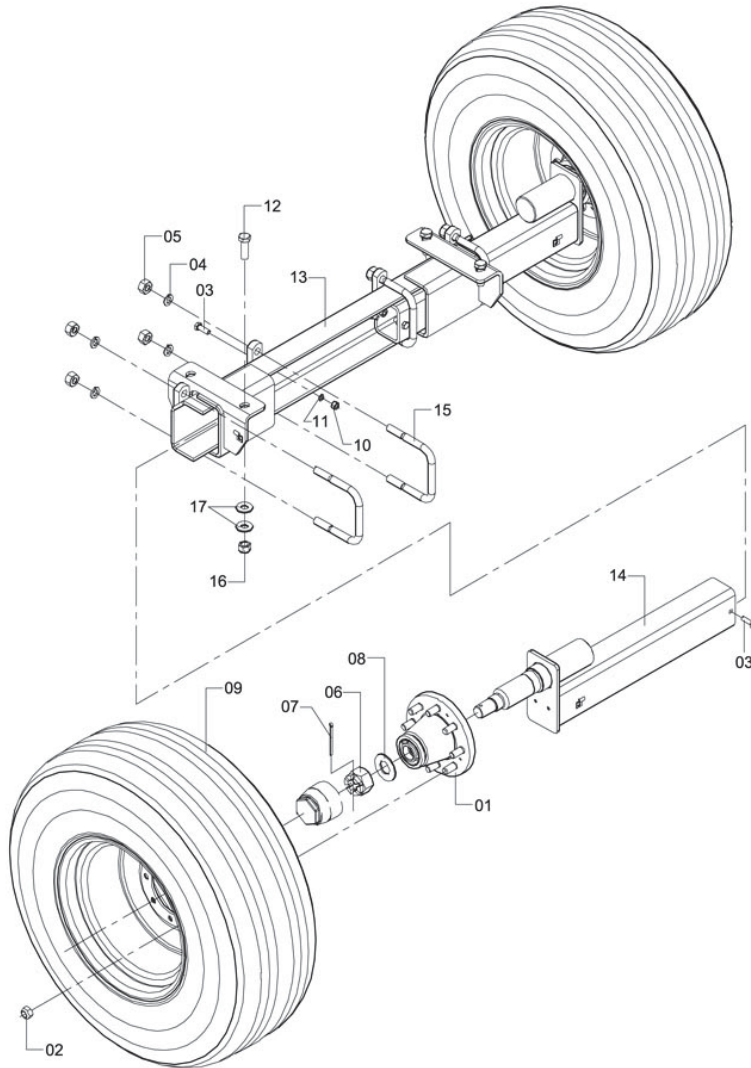
ADJUSTABLE AXLE NO 15

Continuation

Item	CODE	DESCRIPTION	Qty.	Item	CODE	DESCRIPTION	Qty.
00	073320	Adjustable axle no 15	1				
01	176172	Tire assembly 7.50 x 16 with 8-hole wheel	2				
02	997569	Axle fixed body	1				
03	984963	Hex. bolt M16 x 50 x 1.50	4				
04	826297	Hex. nut M16 x 2	8				
05	764142	Lock washer M16	8				
06	881300	Flat washer 170 x 380 x 3.0	8				
07	044107	Parlock hex. nut M16 x 1.50	4				
08	997882	U-clip	4				
09	757559	Hex. bolt M10 x 30 x 1.25	4				
10	997619	Axle moving end	2				
11	831354	Cotter pin \varnothing 6.30 x 50.8	2				
12	063586	Wheel hub assembly - 8 holes	2				
13	881334	Flat washer 330 x 650 x 31	2				
14	831347	Castle nut M30 x 2"	2				
15	700377	Lug nut \varnothing 5/8" - 18 UNF	16				
16	097428	Sticker: (Minimum Track Width Recommended)	1				

Controlled copy – Distribution and reproduction prohibited

ADJUSTABLE AXLE NR. 13



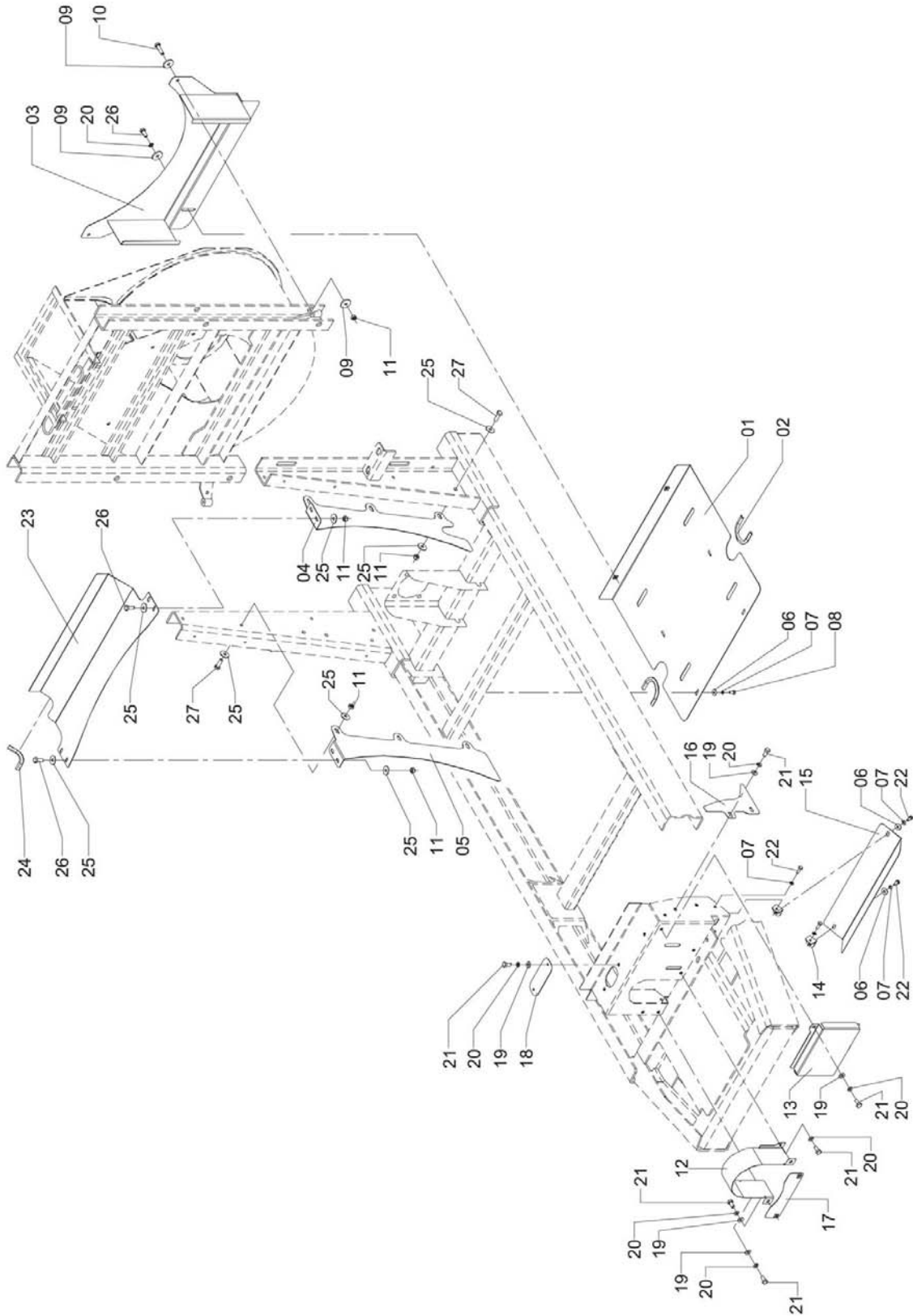
EX-229

ADJUSTABLE AXLE NR. 13

Continuation

Item	CODE	DESCRIPTION	Qty.	Item	CODE	DESCRIPTION	Qty.
00	997551	Adjustable axle nr. 13	1				
01	063586	Wheel hub assembly - 8 holes	2				
02	700377	Lug nut w 5/8" - 18 UNF	16				
03	757559	Hex. bolt M10 x 30 x 1.25	4				
04	764142	Lock washer M16	8				
05	826297	Hex. nut M16 x 2	8				
06	831347	Castle nut M30 x 2"	2				
07	831354	Cotter pin w 6.30 x 50.8	2				
08	881334	Flat washer 330 x 650 x 31	2				
09	176917	Tire assembly 11lb x 15 with 8-hole wheel	2				
10	907030	Hex. nut M10 x 1.25	2				
11	209395	Lock washer M10	4				
12	984963	Hex. bolt M16 x 50 x 1.50	4				
13	997569	Axle fixed body	1				
14	997619	Axle moving end	2				
15	997882	U-clip	4				
16	044107	Parlock hex. nut M16 x 1.50	4				
17	881300	Flat washer 170 x 380 x 3.0	8				
	097428	Sticker: (Minimum Track Width Recommended)	1				

PROTECTION ASSEMBLY



C-807

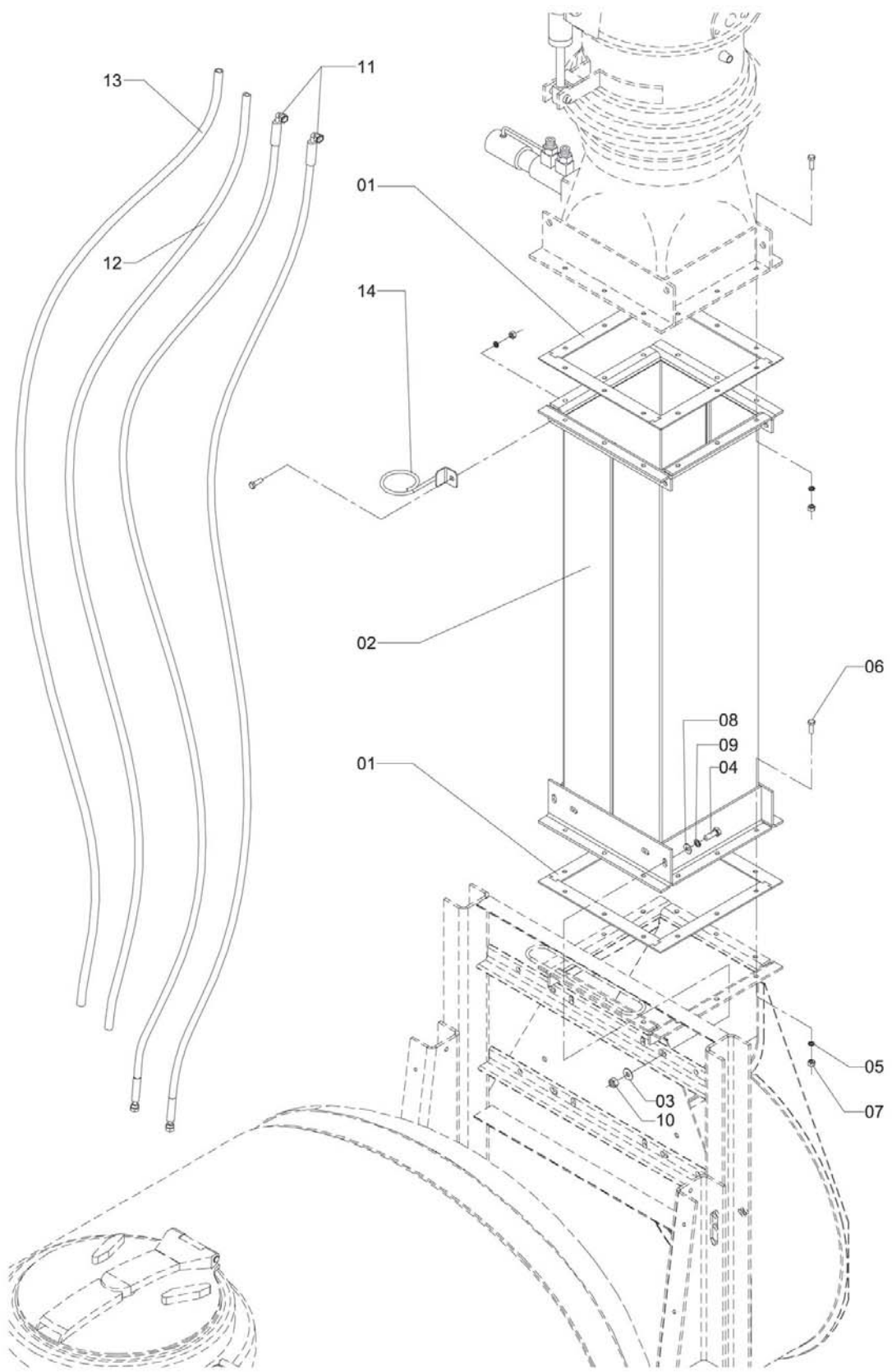
PROTECTION ASSEMBLY

Continuation

Item	CODE	DESCRIPTION	Qty.	Item	CODE	DESCRIPTION	Qty.
00	1198225	Protection assembly	1				
01	1196667	Lower protection	1				
02	1197784	Protection gasket - 170mm	2				
03	1196682	Rear protection	1				
04	1197962	Left lateral protection	1				
05	1197963	Right lateral protection	1				
06	413468	Flat washer \varnothing 6.8 x 18 x 1.2 - stainless steel	6				
07	521666	Lock washer \varnothing 5 - stainless steel	8				
08	448019	Hex. head bolt M6 x 12	4				
09	829325	Flat washer 82 x 300 x 30	6				
10	810705	Bolt M-8 x 30 x 1,25	2				
11	678722	Parlock hex. nut M8 x 1.25	12				
12	1181356	Pump protection	1				
13	1181339	Front protection	1				
14	1176768	Side protection support	2				
15	1181334	Rear protection	1				
16	1181478	Side protection	1				
17	1181331	Pump protection cover	1				
18	1198317	Transmission upper protection	1				
19	013433	Flat washer \varnothing 4.8 x 16 x 1.6 inox	10				
20	519736	Lock washer \varnothing	13				
21	829341	Hex. head bolt M8 x 16 x 1.25	11				
22	829507	Hex. head bolt M6 x 1 x 16 CL8.8	4				
23	1197961	Upper protection	1				
24	1180497	Protection gasket - 109mm	1				
25	733253	Flat washer \varnothing 8.2 X \varnothing 25.4 X 1.5 steel	20				
26	829374	Hex. head bolt M8 x 20 x 1.25 -cl 8.8	6				
27	829382	Hex head bolt M8 x 25 x 1.25	6				

Controlled copy – Distribution and reproduction prohibited

EXTENSION ASSEMBLY



KIT-264

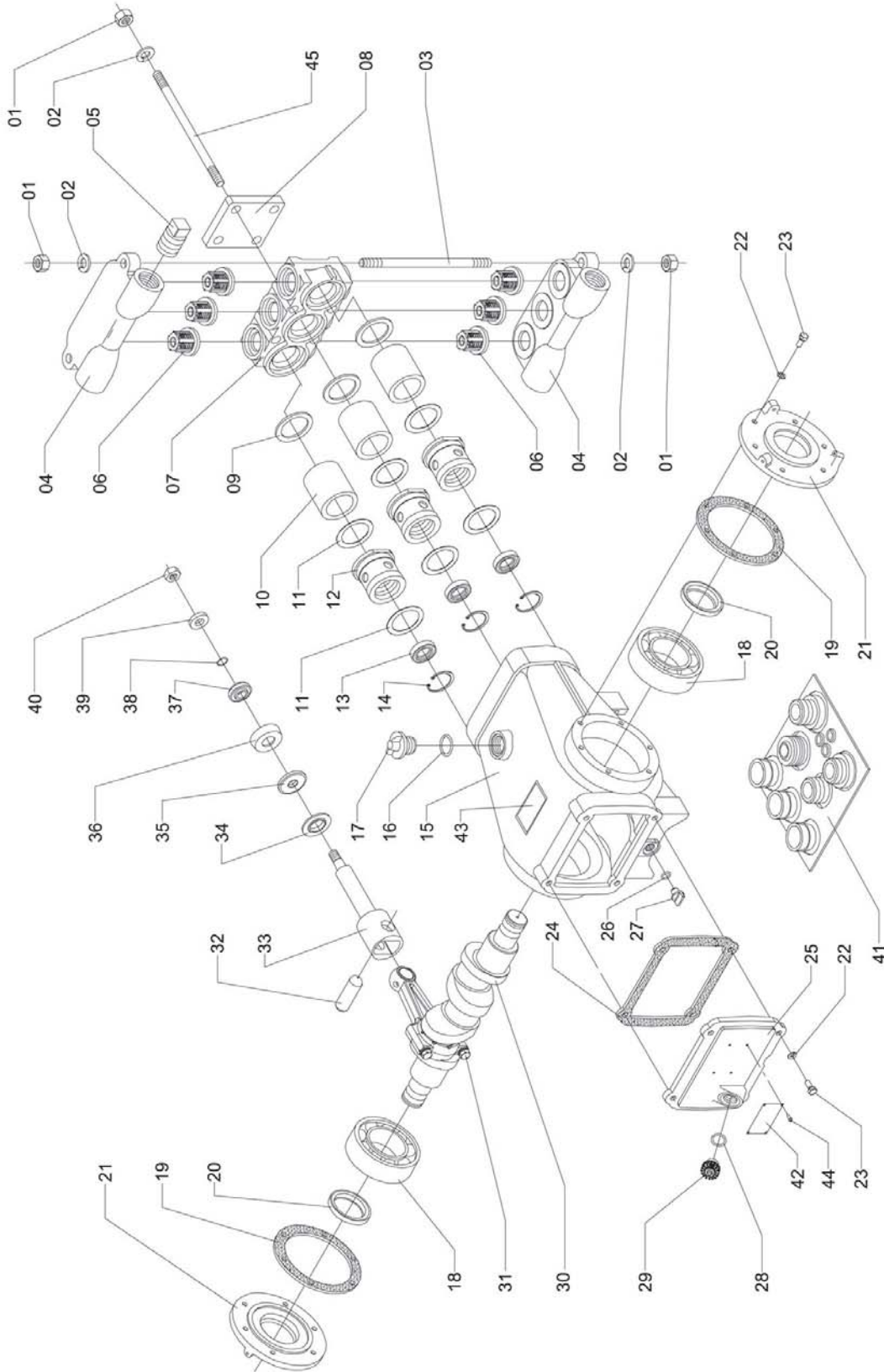
EXTENSION ASSEMBLY

Continuation

Item	CODE	DESCRIPTION	Qty.	Item	CODE	DESCRIPTION	Qty.
00	1198856	Extension assembly	1				
01	519702	Packing 32 x 325 x 3.20	8				
02	1197424	J2000 Extension	1				
03	422436	Flat washer 104 x 254 x 19	2				
04	829515	Hex. bolt M10 x 1.5 x 25 CL8.8	2				
05	519736	Lock washer w	12				
06	829382	Hex head bolt M8 x 25 x 1.25	12				
07	810770	Hex. nut M8 x 1.25	12				
08	623884	Flat washer w 10.5 x 21 x 2 - stainless steel	2				
09	209395	Lock washer M10	2				
10	209205	Hex. nut M10 x 1.50	2				
11	270264	Hose - MHMP-04 1/4" x 8500	2				
12	1199013	Flexible hose - 3/8" x 6500	1				
13	436675	Flexible hose - 1/2" x 7330	1				
14	821629	Hose support	1				

Controlled copy – Distribution and reproduction prohibited

JP-50 PISTON PUMP



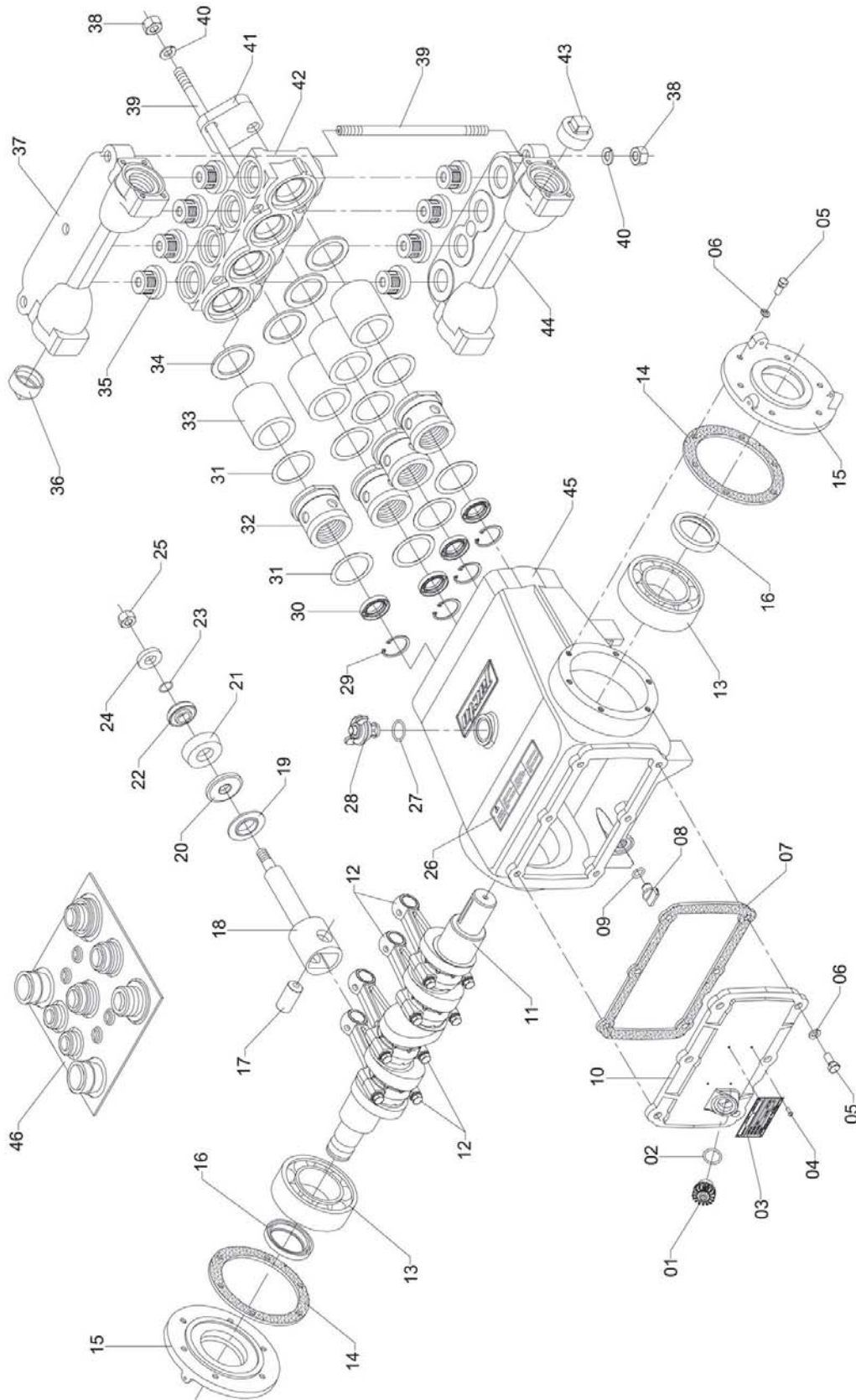
B-170

JP-50 PISTON PUMP

Continuation

Item	CODE	DESCRIPTION	Qty.	Item	CODE	DESCRIPTION	Qty.
00	174805	JP-50 piston pump	1				
01	912790	Hex. nut 1/2" - 13 UNC	8				
02	908582	Lock washer 1/2"	8				
03	130906	Stud bolt 1/2"- 13 UNC x 200	2				
04	110304	Valves cover	2				
05	911305	Plug w 1" BSP	2				
06	261404	Pump valve	6				
06A	508333	Valve packing	6				
07	110288	Pump head	1				
08	110320	Clip plate	1				
09	912493	Seal washer w 54 x 2.0	3				
10	423517	Pump sleeve	3				
11	912154	Packing w 54 x 41.5 x 0.4	6				
12	911750	Sleeve guide w 35	3				
13	106922	Retainer w 22 x 35.2 x 7	3				
14	107524	Snap ring for hole w 36	3				
15	110247	Pump body	1				
16	012724	O-ring ORI-119	1				
17	328542	Plug w 3/4" BSP	1				
18	107557	Fixed bearing	2				
19	912147	Packing	2				
20	106930	Retainer	2				
21	228395	Flange with wing	2				
22	519736	Lock washer w	16				
23	663153	Hex. bolt 5/16" - 18 UNC x 3/4"	16				
24	110379	Packing	1				
25	110338	Pump cover	1				
26	325290	O-ring OR1-112	1				
27	520775	Drain plug 1/4" BSP	1				
28	210146	O-ring OR1-117	1				
29	213736	Plug 1/2" BSP	1				
30	174813	Crankshaft 376	1				
31	130401	Connecting rod assembly	3				
32	911677	Connecting rod shaft	3				
33	012922	Rod guide	3				
34	211524	Scraper ring	3				
35	911842	Piston cup assembly	3				
36	211482	Piston cup	3				
37	211375	Piston	3				
38	901405	O-ring ORI-014	3				
39	911867	Flat washer 130 x 254 x 50	3				
40	324178	Nut w 1/4" - 20 UNF	3				
41	217133	Pump repair kit	1				
42	1159487	Identification plate "Engraved"	1				
43	959957	Sticker: "Keep oil on level"	1				
44	109587	Round head rivet	4				
45	911974	Stud bolt 1/2" - 13 UNC x 210	4				

SPRAY PUMP JP-100



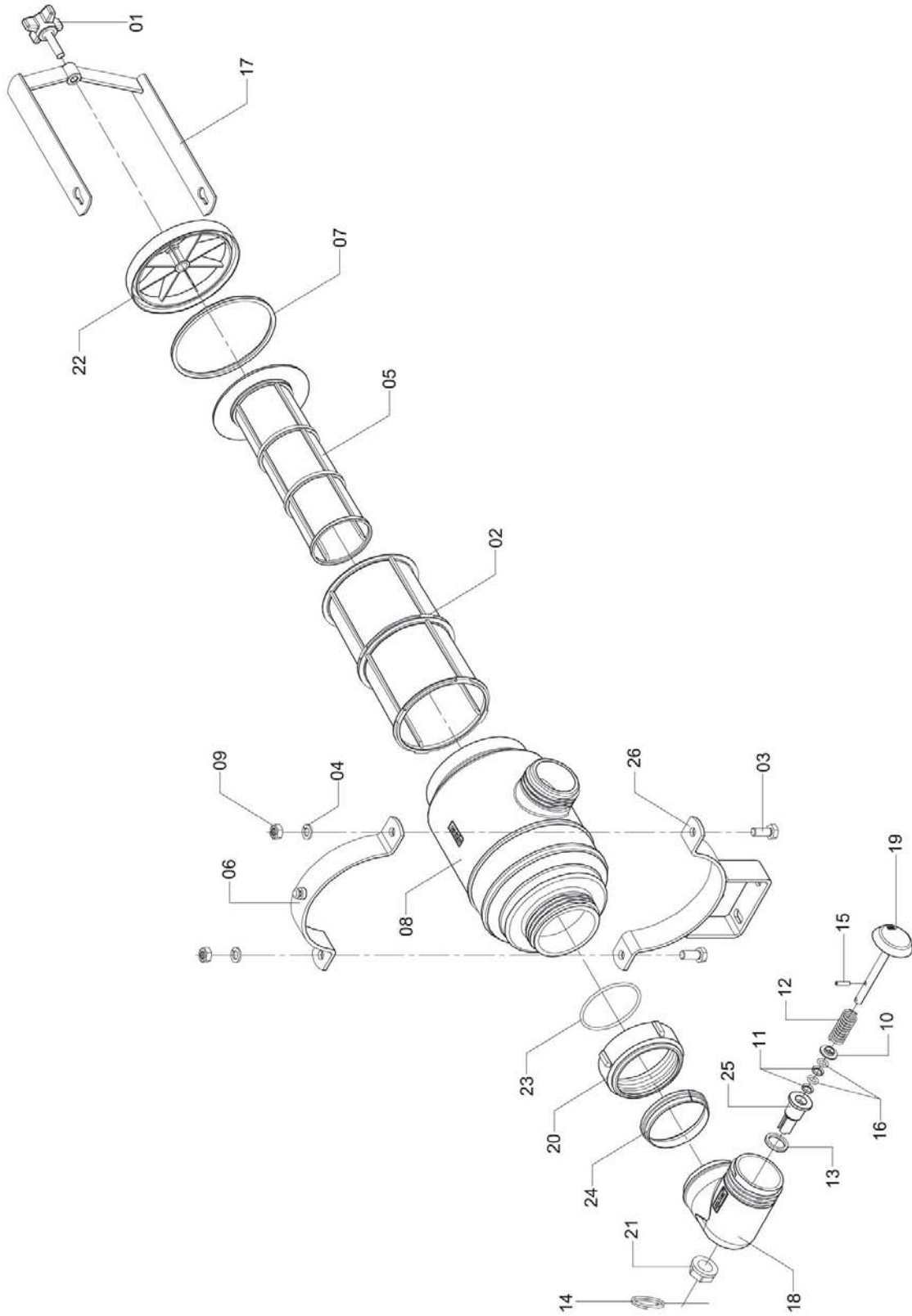
B-126

SPRAY PUMP JP-100

Continuation

Item	CODE	DESCRIPTION	Qty.	Item	CODE	DESCRIPTION	Qty.
00	281709	Spray pump JP-100	1				
01	213736	Plug 1/2" BSP	1				
02	210146	O-ring OR1-117	1				
03	220467	Identification plate	1				
04	109587	Round head rivet	4				
05	663153	Hex. bolt 5/16" - 18 UNC x 3/4"	18				
06	519736	Lock washer ω	18				
07	911735	Packing 130 x 235 x 1.59	1				
08	520775	Drain plug 1/4" BSP	1				
09	325290	O-ring OR1-112	1				
10	911743	Pump cover	1				
11	281105	Crankshaft 430	1				
12	054536	Connecting rod assembly	4				
13	107557	Fixed bearing	2				
14	912147	Packing	2				
15	228395	Flange with wing	2				
16	106930	Retainer	2				
17	911677	Connecting rod shaft	4				
18	012922	Rod guide	4				
19	211524	Scraper ring	4				
20	911842	Piston cup assembly	4				
21	211482	Piston cup	4				
22	211375	Piston	4				
23	901405	O-ring ORI-014	4				
24	911867	Flat washer 130 x 254 x 50	4				
25	324178	Nut ω 1/4" - 20 UNF	4				
26	959957	Sticker: "Keep oil on level"	1				
27	012724	O-ring ORI-119	1				
28	328542	Plug ω 3/4" BSP	1				
29	107524	Snap ring for hole ω 36	4				
30	106922	Retainer ω 22 x 35.2 x 7	4				
31	912154	Packing ω 54 x 41.5 x 0.4	8				
32	911750	Sleeve guide ω 35	4				
33	423517	Pump sleeve	4				
34	912493	Seal washer ω 54 x 2.0	4				
35	261404	Pump valve	8				
36	911305	Plug ω 1" BSP	1				
37	729111	Valves cover ω 1"	1				
38	912790	Hex. nut 1/2" - 13 UNC	6				
39	911974	Stud bolt 1/2" - 13 UNC x 210	7				
40	908582	Lock washer 1/2"	6				
41	911883	Clip plate	2				
42	911834	Pump head	1				
43	208363	Plug ω 1.1/4" BSP	1				
44	911966	Valves cover 1.1/4" BSP	1				
45	911594	Pump body	1				
46	108126	Repair kit	1				

SUCTION FILTER WITH VALVE FOR 200 LITERS



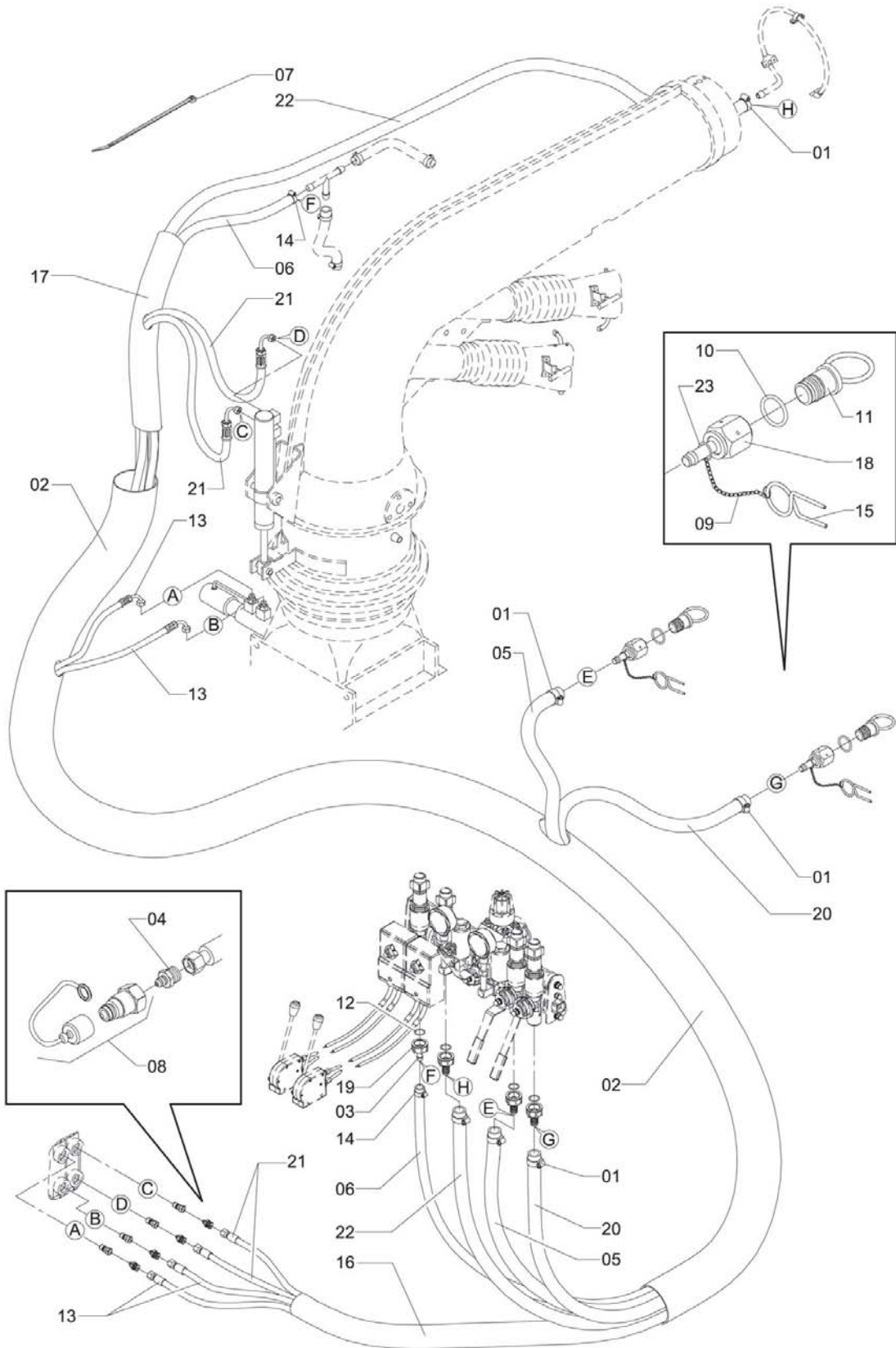
F-85

SUCTION FILTER WITH VALVE FOR 200 LITERS

Continuation

Item	CODE	DESCRIPTION	Qty.	Item	CODE	DESCRIPTION	Qty.
00	671610	Suction filter with valve for 200 liters	1				
01	011734	Bolt with knob	1				
02	817346	Double filtering element 430 - mesh 40	1				
03	168070	Hex. head bolt M 10 x 25 x 1,25	2				
04	209395	Lock washer M10	2				
05	817353	Triple filtering element 820 with flange - mesh 24	1				
06	817379	Suction filter half-strap	1				
07	472597	Packing ring w 136	1				
08	941336	Suction filter body	1				
09	907030	Hex. nut M10 x 1.25	2				
10	005967	Spring seat	1				
11	005975	Spacer washer	2				
12	006148	Compression spring	1				
13	010827	Packing ring w 29 x 22 x 3	1				
14	012146	Ring w 40	1				
15	105288	Flexible pin 4 x 20 (heavy)	1				
16	416669	O-ring OR1-110	2				
17	817403	Handle	1				
18	534420	Valve body	1				
19	534438	Valve	1				
20	534453	Union nut	1				
21	537423	Nut 1/2" BSP	1				
22	817395	Cover with seat	1				
23	592709	Packing ring OR1-233	1				
24	593673	Lock ring	1				
25	615021	Valve guide	1				
26	732115	Half-strap with support	1				

HOSE ASSEMBLY



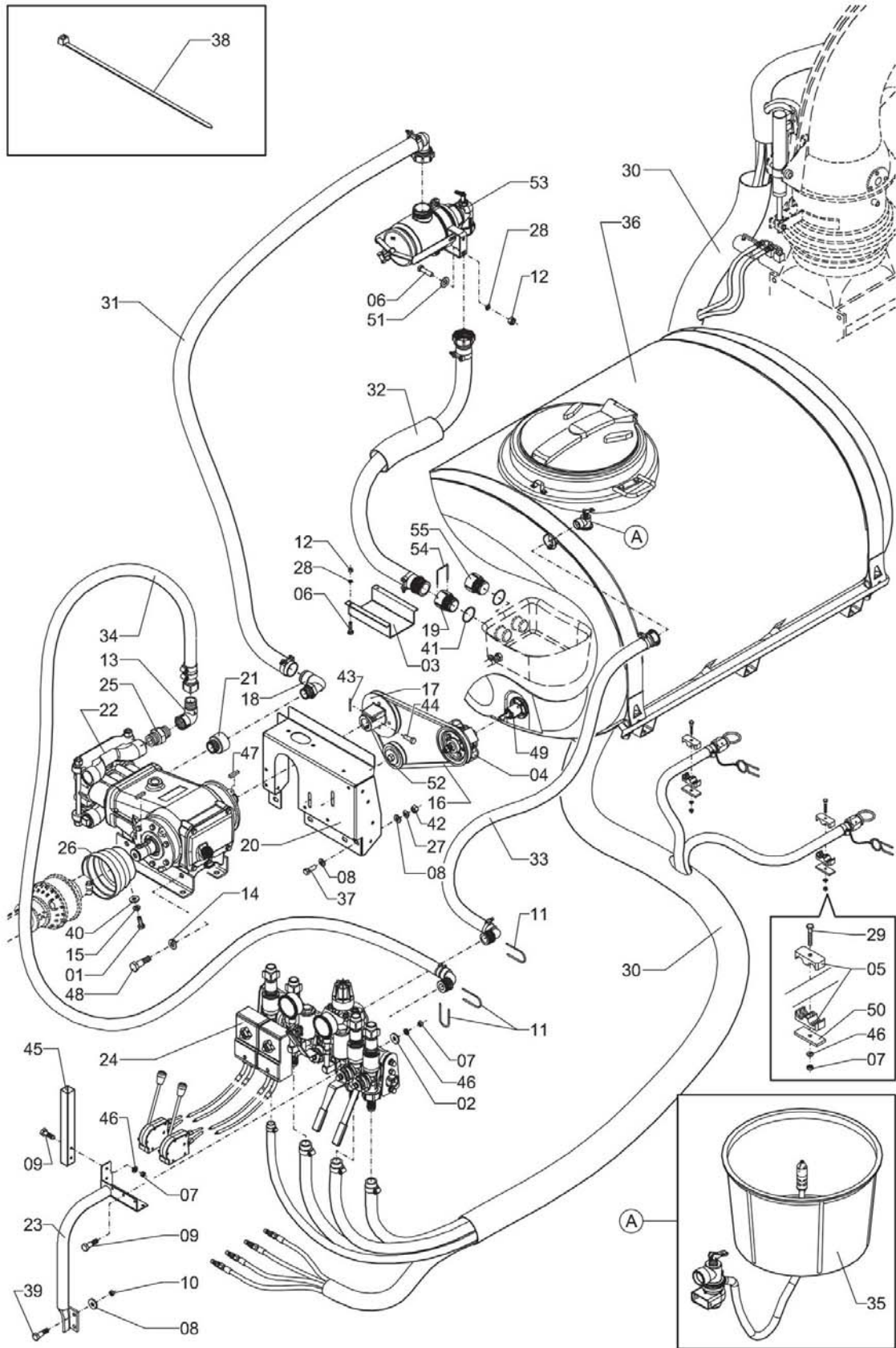
MD-040

HOSE ASSEMBLY

Continuation

Item	CODE	DESCRIPTION	Qty.	Item	CODE	DESCRIPTION	Qty.
00	265231	Hose assembly	1				
01	107664	Clamp D14-22 - stainless steel	6				
02	262733	Protective hose 3" x 2000	1				
03	262741	Hose fitting 3/8" with flange	1				
04	262766	Nipple 1/2" - 20 UNF x 1/2" NPT	4				
05	267070	Hose 1/2" x 3000	1				
06	267088	Hose Ш 3/8" x 5300	1				
07	323584	Hose tie	2				
08	355289	Male quick fitting with plug 1/2" NPT	4				
09	437822	Chain 120 mm	2				
10	440982	O-ring OR1-117	2				
11	489617	Quick fitting - plug	2				
12	110494	O-ring OR1-116	1				
13	062521	Hose MHMP-04 - 1/4"	2				
14	063370	Clamp D11-16 - stainless steel	2				
15	636399	Quick fitting clamp	2				
16	074401	Protective hose 50 x 2200	1				
17	801167	Protective hose 2" x 400	1				
18	086447	Quick fitting 1/2"	2				
19	867044	Nut for branch outlet	1				
20	111559	Hose 1/2" x 3550	1				
21	176685	Hose MHMP-04 1/4" x 6900	2				
22	242818	Hose 1/2" x 6300	1				
23	622969	Double ring ш 22 x 26 x 3	2				

CHEMICAL CIRCUIT (JP-50 / MF 4 W)



CD-1166

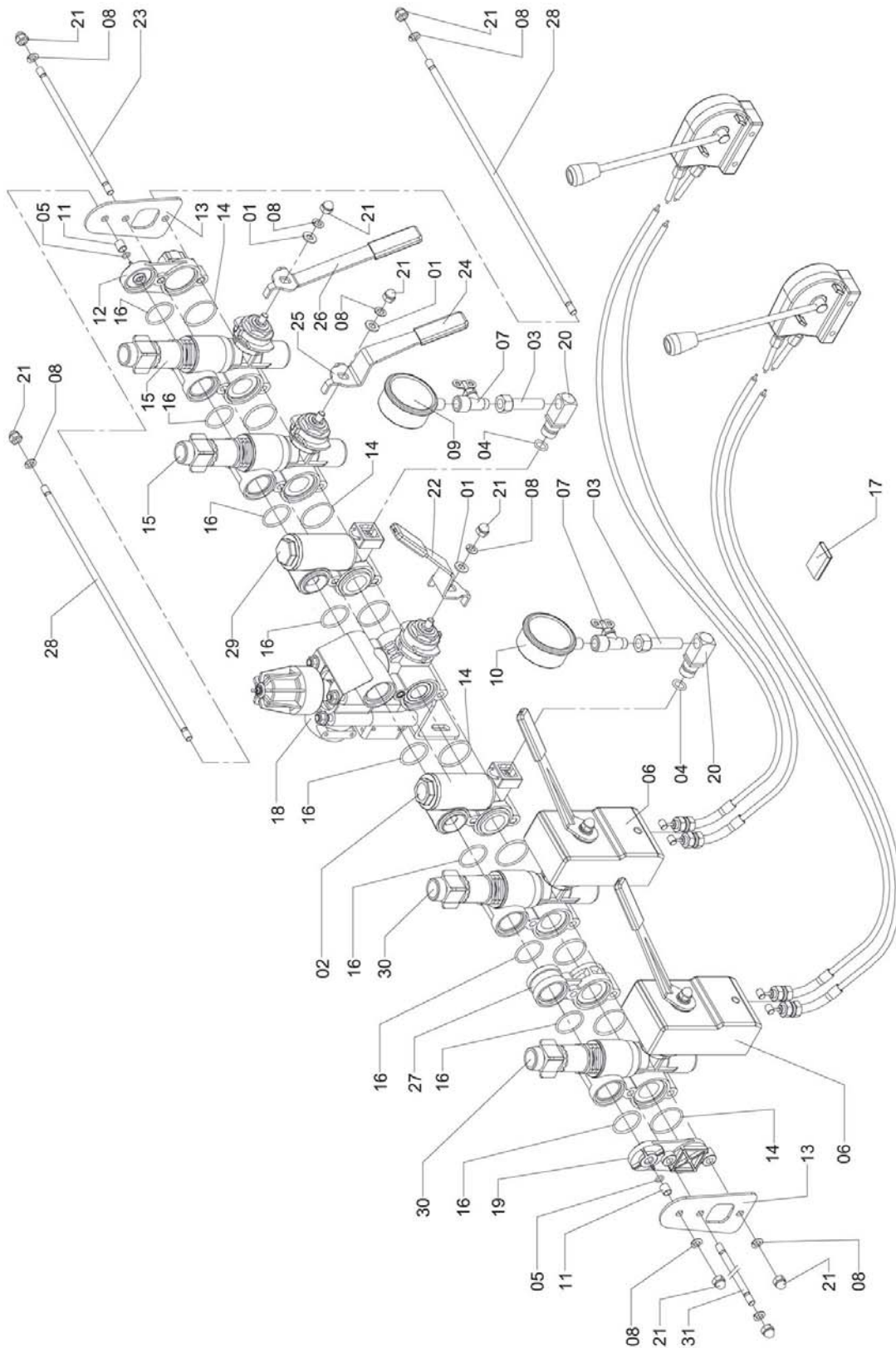
CHEMICAL CIRCUIT (JP-50 / MF 4 W)

Continuation

Item	CODE	DESCRIPTION	Qty.	Item	CODE	DESCRIPTION	Qty.
00	174664	Chemical circuit (JP-50 / MF 4 w)	1				
01	007229	Bolt 1/4" x 20 UNC x 3/4"	3				
02	881276	Flat washer \varnothing 8.7 x 20 x 1.2 - stainless steel	2				
03	724195	Protector	1				
04	727925	Flexible coupling 9	1				
05	732040	Semiclamp for tube 19"	4				
06	757559	Hex. bolt M10 x 30 x 1.25	2				
07	810770	Hex. nut M8 x 1.25	2				
08	818112	Flat washer 130 x 240 x 30	8				
09	829382	Hex head bolt M8 x 25 x 1.25	4				
10	173245	Hex. nut parlock M12 x 1.25	2				
11	868372	Nozzles U-shaped clamp	3				
12	907030	Hex. nut M10 x 1.25	2				
13	908426	Male/female elbow 1" BSP	1				
14	908582	Lock washer 1/2"	4				
15	910117	Lock washer 1/4"	3				
16	916106	Belt A-35	1				
17	174714	Flange with Pulley	1				
18	969386	Hose fitting 2" x 1.1/4" BSP T 90e	1				
19	991703	Tank sump fitting	1				
20	1181432	Transmission protection	1				
21	174748	Male/female connector 1" x 1.1/4"	1				
22	174805	JP-50 piston pump	1				
23	174920	Control support	1				
24	278283	Control - MF2000/2 cables - J2000	1				
25	202861	Nipple 1" BSP - 11 F.P.P.	1				
26	118224	Cross shield	1				
27	209163	Lock washer M12	3				
28	209395	Lock washer M10	3				
29	520726	Hex head bolt M8 x 60 x 1.25	2				
30	265231	Hose assembly	1				
31	265249	Hose - Filter / Jump	1				
32	265256	Hose - Filter / Tank	1				
33	265264	Hose - Rinse nozzle / Control	1				
34	265272	Hose - Control / Pump	1				
35	134239	Chemical container rinse nozzle kit	1				
36	270223	2000-liter Tank	1				
37	280925	Hex. head bolt M12 x 35 x 1,50	3				
38	323584	Hose tie	5				
39	275396	Hex. head bolt M12 x 50 x 1.50 - CL 8.8	2				
40	413468	Flat washer \varnothing 6.8 x 18 x 1.2 - stainless steel	3				
41	417717	O-ring OR1-227	2				
42	427013	Nut ABTN - 1020 thread M12 x 1,5 CL8	3				
43	427294	Cotter pin \varnothing 3.97 x 25.4	1				
44	435487	Pin \varnothing 12 x 55	1				
45	470658	Actuator base fastener	1				
46	519736	Lock washer \varnothing	2				
47	519793	Square key - 9.53 (3/8") x 45	2				
48	520205	Bolt 1/2" - 13 UNC x 1.1/4"	4				
49	543348	Mechanical agitator 2005 - 02	1				
50	618405	Semiclamp plate 25 x 57	2				
51	623884	Flat washer \varnothing 10.5 x 21 x 2 - stainless steel	1				
52	645416	Tightening pulley assembly 78-1A (Shaft \varnothing 15 x 50,5)	3				
53	671610	Suction filter with valve for 200 liters	1				
54	970103	Lock 56	1				
55	969394	Plastic thread fitting	1				

Controlled copy – Distribution and reproduction prohibited

MASTERFLOW CONTROL 2000 - 2X2 LEVER AND CABLE



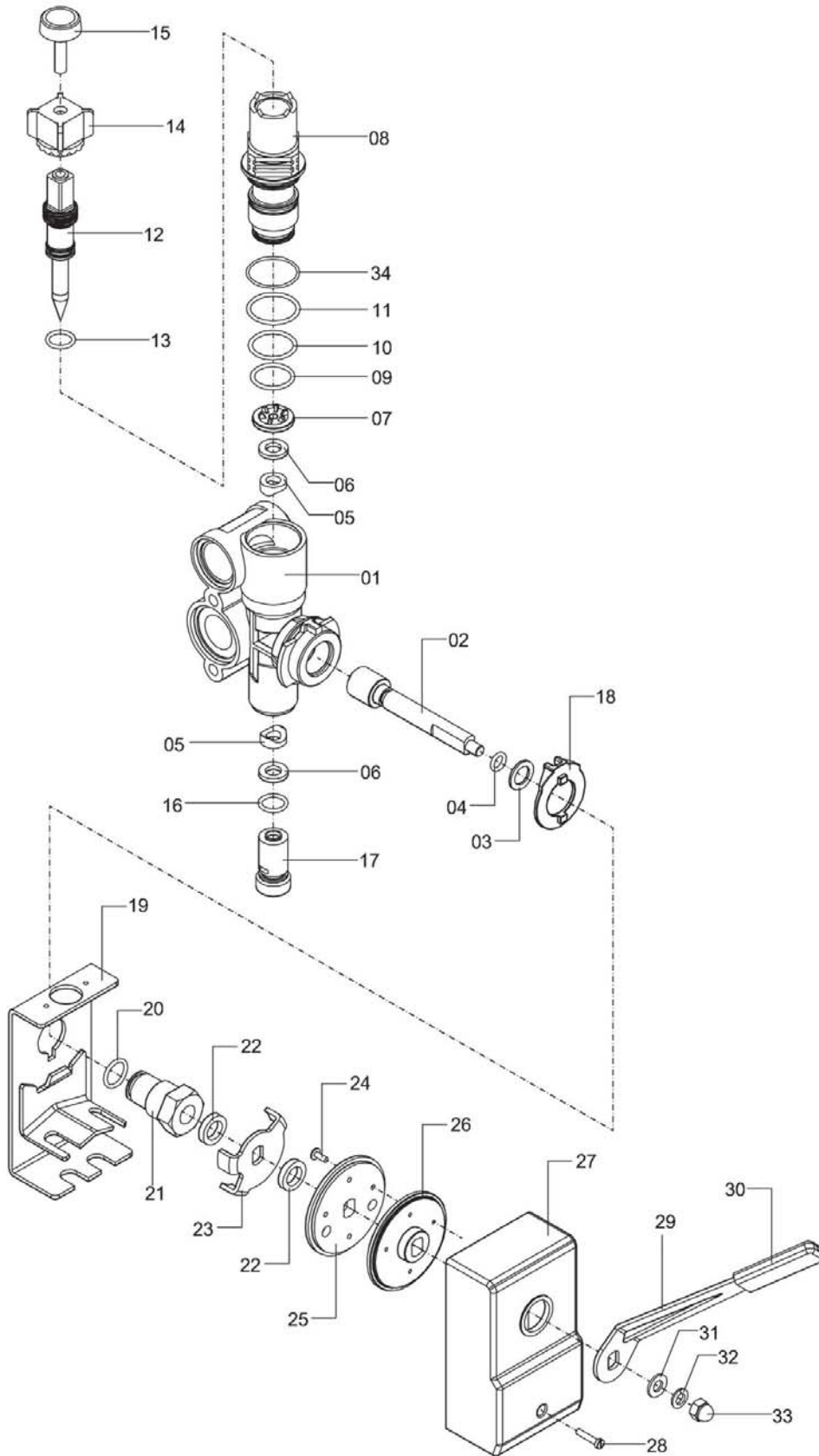
CV-638

MASTERFLOW CONTROL 2000 - 2X2 LEVER AND CABLE

Continuation

Item	CODE	DESCRIPTION	Qty.	Item	CODE	DESCRIPTION	Qty.
00	195453	Masterflow Control 2000 - 2x2 Lever and cable	1				
01	013433	Flat washer w 4.8 x 16 x 1.6 inox	3				
02	195586	Safety valve	1				
03	220699	Pressure gauge extension	2				
04	244459	O-ring OR1-113	2				
05	322040	O-ring ORI-011	2				
06	036128	Cable actuation box	2				
07	507319	Needle valve for pressure gauge	2				
08	519736	Lock washer w	9				
09	551945	Pressure gauge (0 to 40 kgf/cml) (glycerin-filled)	1				
10	556092	Pressure gauge (glycerin-filled) 0 to 16 kgf/cml)	1				
11	055764	Bushing	2				
12	866004	Right cover	1				
13	057349	Support	2				
14	648170	O-ring OR1-128	9				
15	071233	Right nozzle branch	2				
16	731521	O-ring OR1 - 124	9				
17	074401	Protective hose 50 x 2200	1				
18	195438	Manual quick relief assembly	1				
19	866012	Left cover	1				
20	868638	Pressure gauge support pin	2				
21	945832	Box nut M8 x 1,0	9				
22	945956	Lever 60° - left	1				
23	165407	Stud bolt M8 x 208 x 1,25 - stain	1				
24	945964	Lever handgrip	3				
25	945972	Lever 60° - right	1				
26	945980	Lever 30° - right	1				
27	976761	Small spacer	1				
28	985119	Stud bolt M8 x 507 x 1.25	2				
29	998138	Safety valve	1				
30	999540	Cable branch assembly with sensor	2				
31	168245	Stud bolt M8 x 232 x 1,25 - inox	1				

CABLE BRANCH ASSEMBLY WITH SENSOR



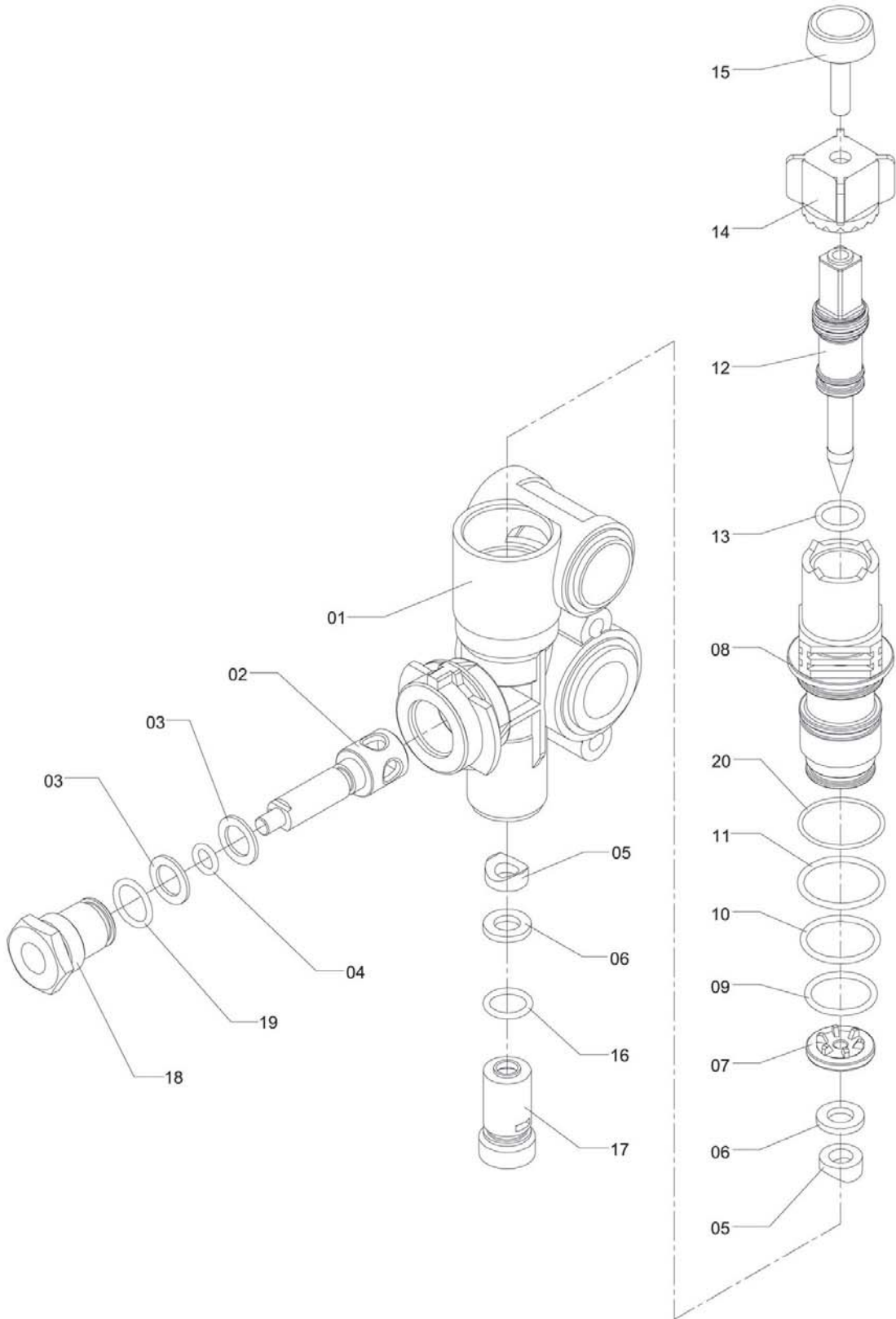
CV-477

CABLE BRANCH ASSEMBLY WITH SENSOR

Continuation

Item	CODE	DESCRIPTION	Qty.	Item	CODE	DESCRIPTION	Qty.
00	999540	Cable branch assembly with sensor	1				
01	180414	Branch body	1				
02	879916	Cable actuation branch core	1				
03	414748	O-ring ω 22 x 1.5	1				
04	955617	O-ring OR2-110	1				
05	414763	Seal seat ω 18	2				
06	414771	O-ring ω 20 x 11 x 3.0	2				
07	860098	Cell	1				
08	944876	Fastener	1				
09	106955	O-ring OR1-120	1				
10	011668	O-ring OR1-122	1				
11	731521	O-ring OR1 - 124	1				
12	944892	Needle assembly	1				
13	706796	O-ring OR1-114	1				
14	944900	Grip	1				
15	945998	Bolt M8 x 30 x 1.25	1				
16	322057	O-ring ORI-114	1				
17	860064	Outlet nipple bushing	1				
18	879858	Box positioning washer	1				
19	973370	Box support	1				
20	832857	O-ring OR1-115	1				
21	879833	Cable control seat	1				
22	984989	Spacer bushing	2				
23	985671	Sensor contact disc	1				
24	997213	Flanged head screw 3.5 x 10	4				
25	966184	Large left sheave	1				
26	966192	Large right sheave	1				
27	879973	Cable control box	1				
28	071894	Bolt M4 x 20 x 07	1				
29	879965	Cable control lever	1				
30	945964	Lever handgrip	1				
31	013433	Flat washer ω 4.8 x 16 x 1.6 inox	1				
32	519736	Lock washer ω	1				
33	945832	Box nut M8 x 1,0	1				
34	737718	O-ring OR1-027	1				

RIGHT NOZZLE BRANCH



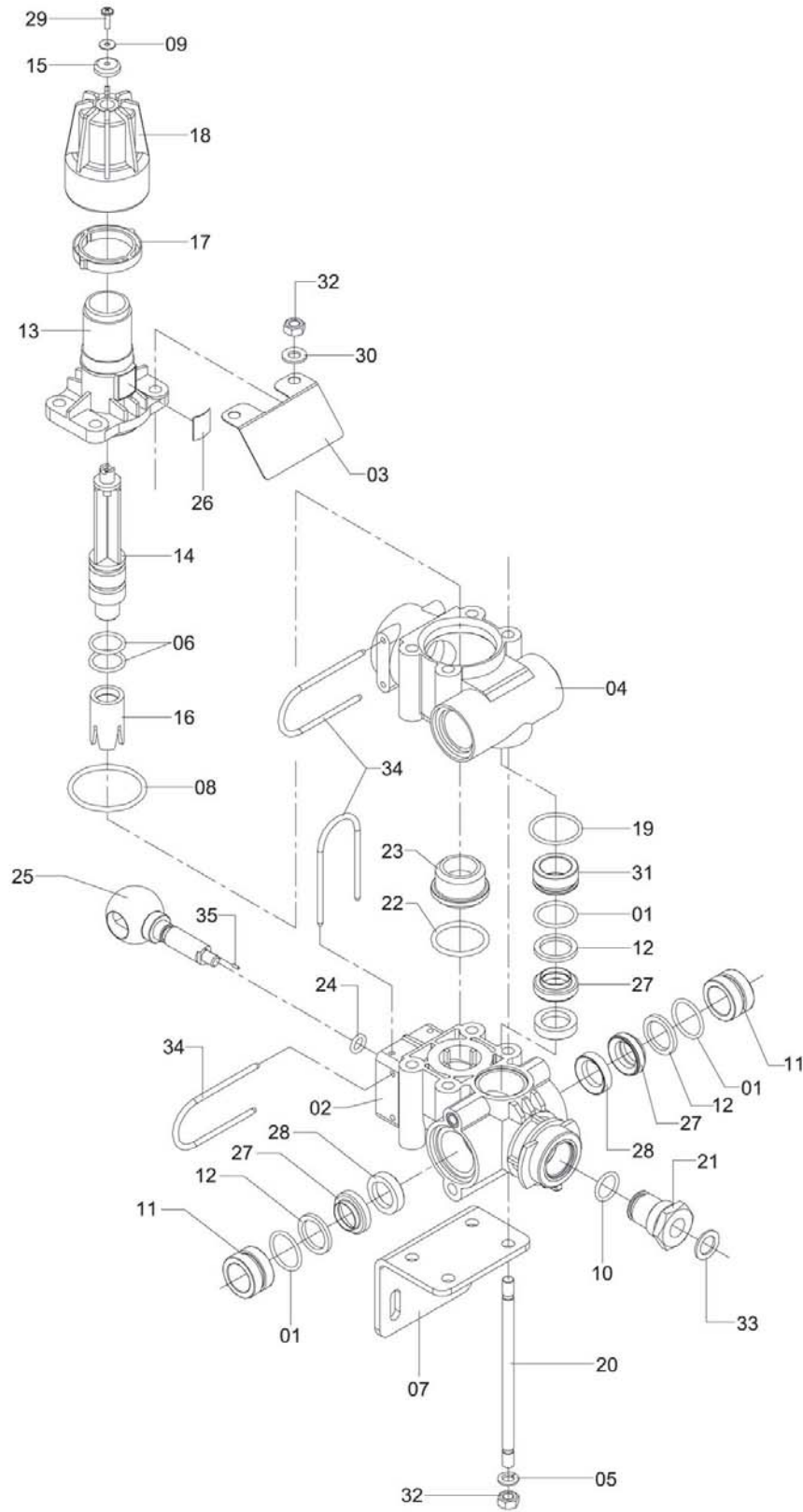
CV-354

RIGHT NOZZLE BRANCH

Continuation

Item	CODE	DESCRIPTION	Qty.	Item	CODE	DESCRIPTION	Qty.
00	071233	Right nozzle branch	1				
01	180414	Branch body	1				
02	946061	Right core	1				
03	414748	O-ring w 22 x 1.5	2				
04	955617	O-ring OR2-110	1				
05	414763	Seal seat W 18	2				
06	414771	O-ring w 20 x 11 x 3.0	2				
07	860098	Cell	1				
08	944876	Fastener	1				
09	106955	O-ring OR1-120	1				
10	011668	O-ring OR1-122	1				
11	731521	O-ring OR1 - 124	1				
12	944892	Needle assembly	1				
13	706796	O-ring OR1-114	1				
14	944900	Grip	1				
15	945998	Bolt M8 x 30 x 1.25	1				
16	322057	O-ring ORI-114	1				
17	860064	Outlet nipple bushing	1				
18	946079	Core seat	1				
19	832857	O-ring OR1-115	1				
20	737718	O-ring OR1-027	1				

MANUAL QUICK RELIEF ASSEMBLY



CV-599

Controlled copy – Distribution and reproduction prohibited

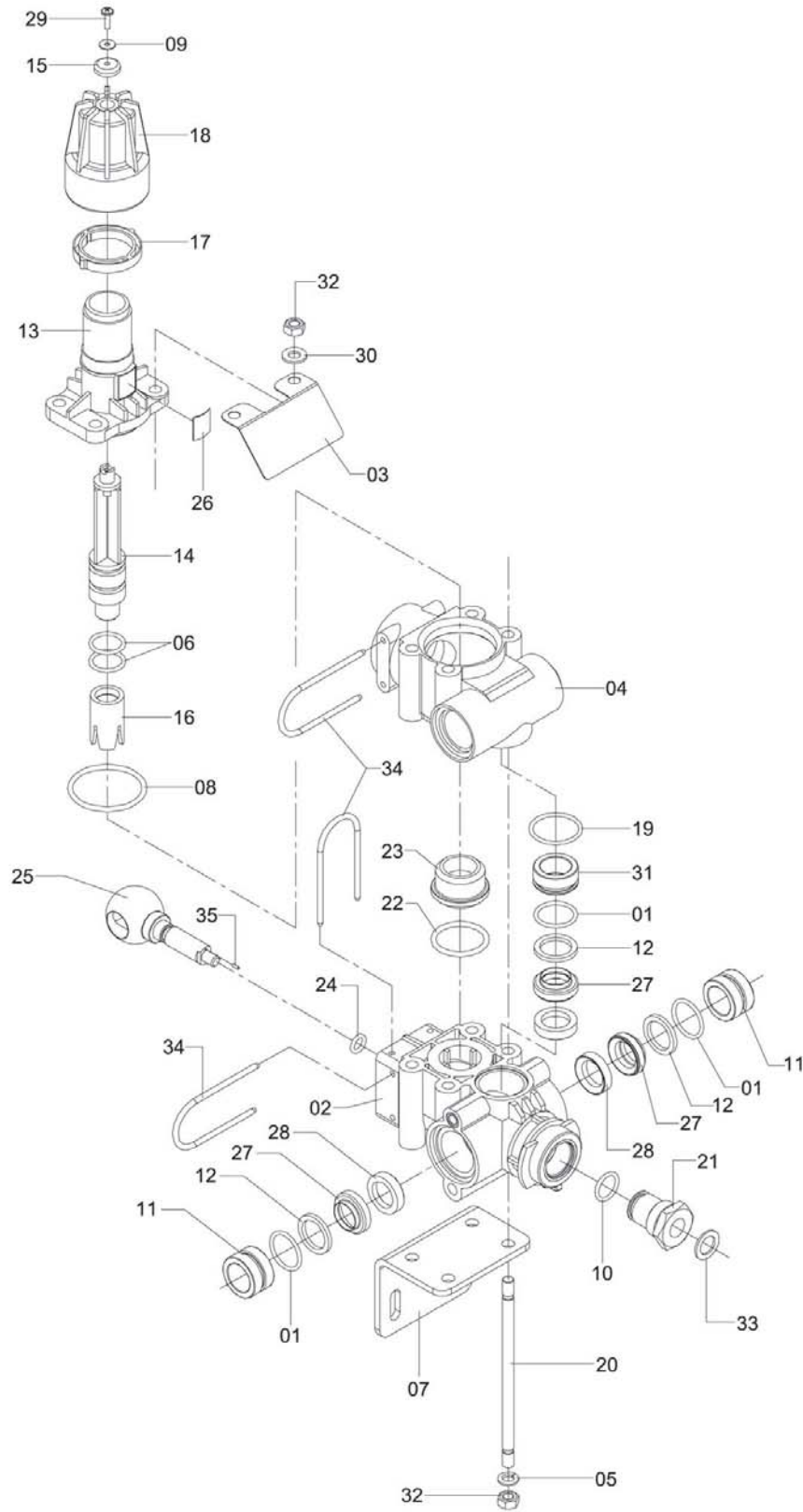
MANUAL QUICK RELIEF ASSEMBLY

Continuation

Item	CODE	DESCRIPTION	Qty.	Item	CODE	DESCRIPTION	Qty.
00	195438	Manual quick relief assembly	1				
01	106955	O-ring OR1-120	3				
02	165811	Body base	1				
03	044040	Identification plate	1				
04	049494	Quick relief body	1				
05	519736	Lock washer w	4				
06	531806	O-ring OR1-117	2				
07	057356	Fastening support	1				
08	735282	O-ring OR2-225	1				
09	762088	Flat washer 37 x 110 x 8	1				
10	832857	O-ring OR1-115	1				
11	860080	Quick relief seat bushing	2				
12	010827	Packing ring w 29 x 22 x 3	3				
13	861468	Pressure regulator cylinder	1				
14	861476	Pressure regulator cylinder rod	1				
15	861484	Rod locking washer	1				
16	861492	Regulator body	1				
17	861500	Pressure regulator lock spring	1				
18	861518	Manual Pressure Regulator Knob	1				
19	881839	O-ring OR2-124	1				
20	945907	Stud bolt M8 x 1.25 x 156	4				
21	946079	Core seat	1				
22	011593	O-ring OR1-219	1				
23	946145	Valve seat	1				
24	955617	O-ring OR2-110	1				
25	195446	Quick relief spherical core	1				
26	980250	Identification plate	1				
27	982736	Sleeve (teflon)	3				
28	982744	Packing seat	3				
29	997171	Flanged head screw 3.5 x 14	1				
30	013433	Flat washer w 4.8 x 16 x 1.6 inox	4				
31	165274	Seat bushing	1				
32	221648	Nut M8 x 1.25 - stainless steel	8				
33	414748	O-ring w 22 x 1.5	1				
34	868372	Nozzles U-shaped clamp	3				

Controlled copy – Distribution and reproduction prohibited

MANUAL QUICK RELIEF ASSEMBLY



CV-599

Controlled copy – Distribution and reproduction prohibited

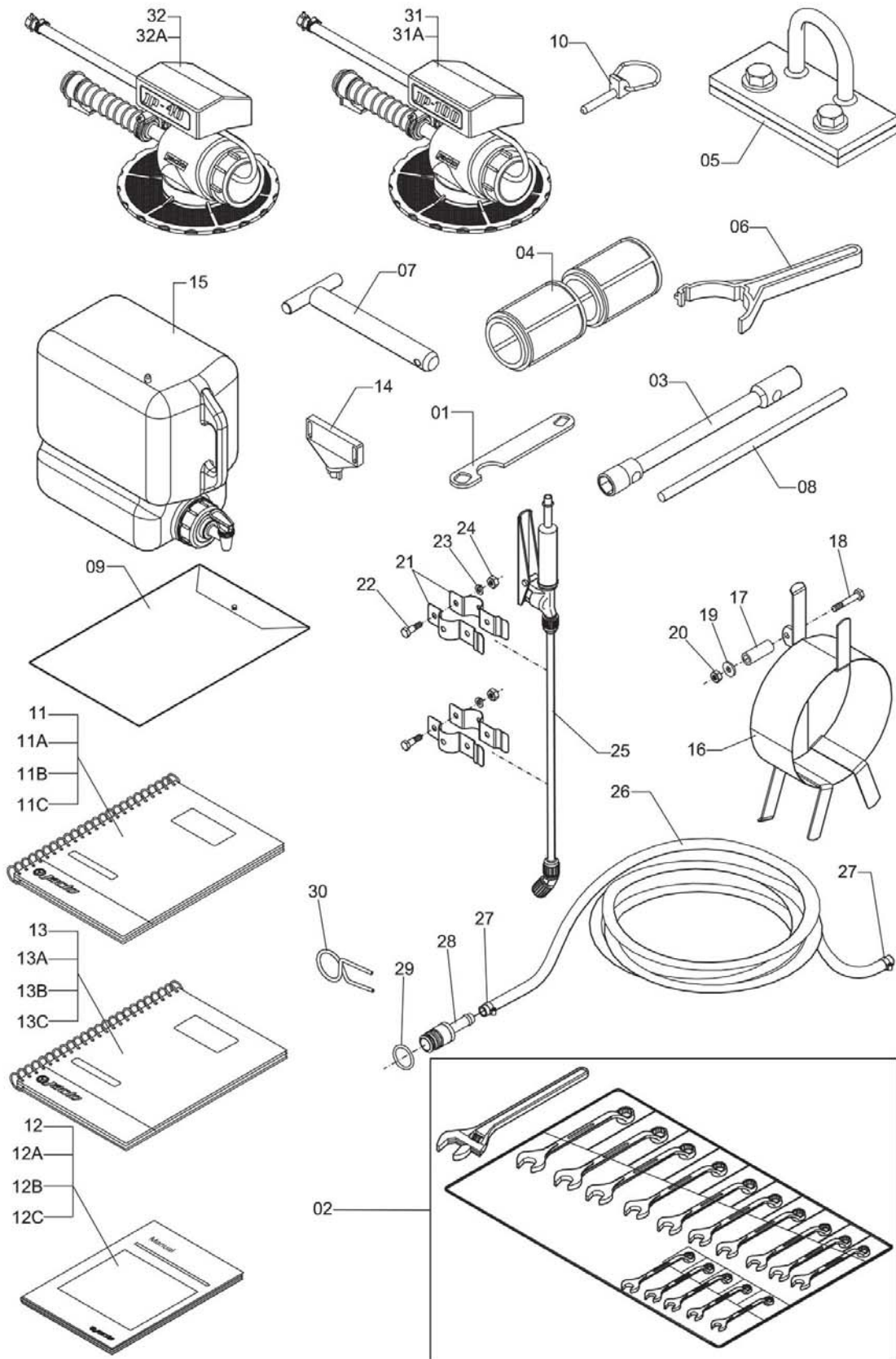
MANUAL QUICK RELIEF ASSEMBLY

Continuation

Item	CODE	DESCRIPTION	Qty.	Item	CODE	DESCRIPTION	Qty.
00	071225	Manual quick relief assembly	1				
01	106955	O-ring OR1-120	3				
02	165811	Body base	1				
03	044040	Identification plate	1				
04	049494	Quick relief body	1				
05	519736	Lock washer w	4				
06	531806	O-ring OR1-117	2				
07	057356	Fastening support	1				
08	735282	O-ring OR2-225	1				
09	762088	Flat washer 37 x 110 x 8	1				
10	832857	O-ring OR1-115	1				
11	860080	Quick relief seat bushing	2				
12	010827	Packing ring w 29 x 22 x 3	3				
13	861468	Pressure regulator cylinder	1				
14	861476	Pressure regulator cylinder rod	1				
15	861484	Rod locking washer	1				
16	861492	Regulator body	1				
17	861500	Pressure regulator lock spring	1				
18	861518	Manual Pressure Regulator Knob	1				
19	881839	O-ring OR2-124	1				
20	945907	Stud bolt M8 x 1.25 x 156	4				
21	946079	Core seat	1				
22	011593	O-ring OR1-219	1				
23	946145	Valve seat	1				
24	955617	O-ring OR2-110	1				
25	974154	Quick relief spherical core	1				
26	980250	Identification plate	1				
27	982736	Sleeve (teflon)	3				
28	982744	Packing seat	3				
29	997171	Flanged head screw 3.5 x 14	1				
30	013433	Flat washer w 4.8 x 16 x 1.6 inox	4				
31	165274	Seat bushing	1				
32	221648	Nut M8 x 1.25 - stainless steel	8				
33	414748	O-ring w 22 x 1.5	1				
34	868372	Nozzles U-shaped clamp	3				
35	140905	Pin 2 x 10	1				

Controlled copy – Distribution and reproduction prohibited

ACCESSORIES BOX (J2000)



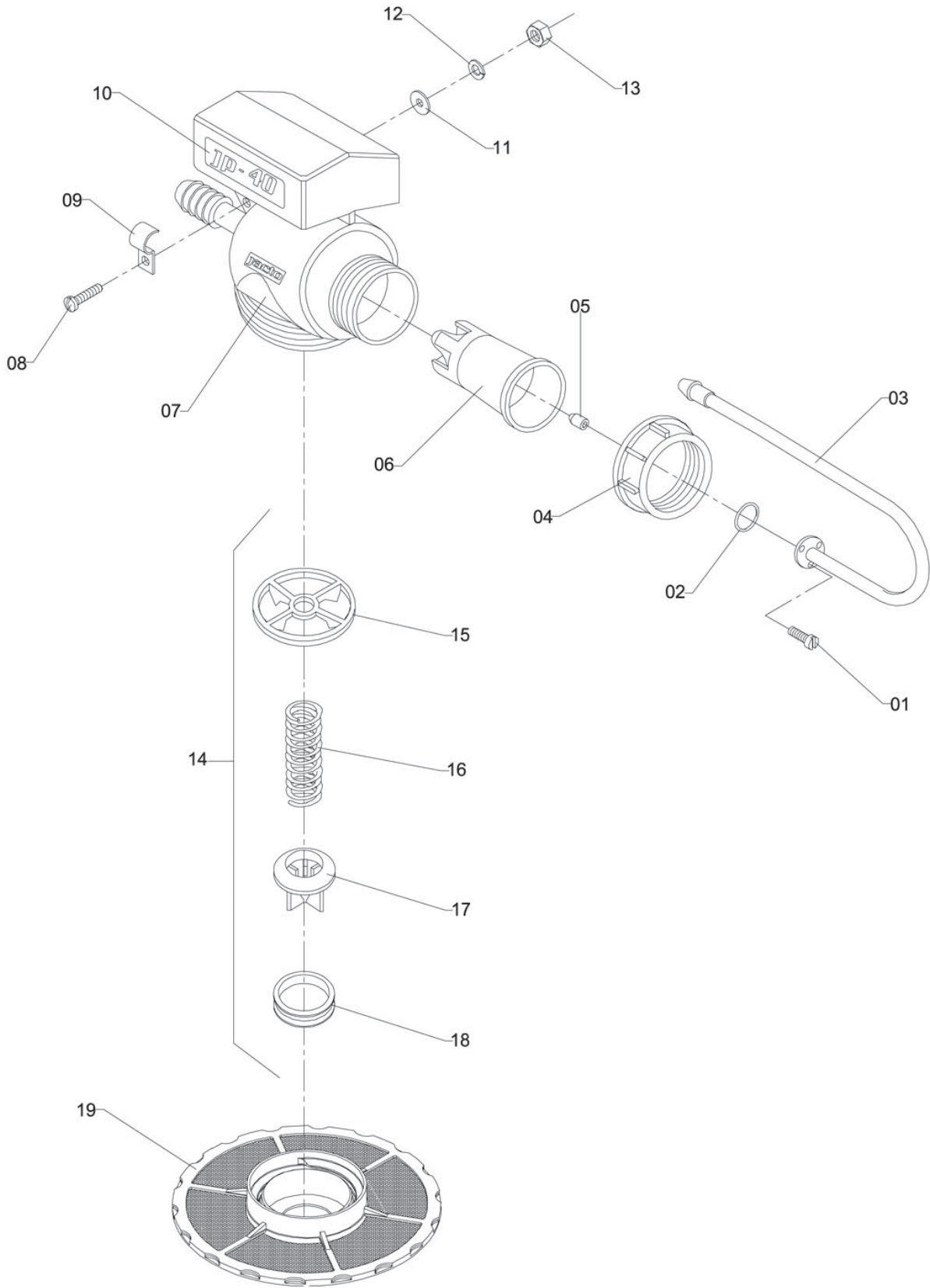
CXA-547

ACCESSORIES BOX (J2000)

Continuation

Item	CODE	DESCRIPTION	Qty.	Item	CODE	DESCRIPTION	Qty.
00	079391	Accessories box (J2000)	1				
01	436493	Flat fan nozzle aligner	1				
02	489211	Assembly - combination wrench + screw wrench (for export)	1				
03	499731	Wheel wrench	1				
04	613604	Double filtering element	1				
05	673798	Clip plate	1				
06	703694	Key 40-45	1				
07	824003	Tee pin	1				
08	830281	Cable 3/4" x 450 mm for wheel wrench	1				
09	867127	Plastic folder	1				
10	330407	Universal lock pin 5/16"	1				
11	266817	Operator's manual - J2000 PORTUGUESE	1				
11A	266825	Operator's manual (J-2600 - Spanish)	1				
11B	266809	Operator's manual - J2000 ENGLISH	1				
11C	928085	Operator's manual - (J-2600 MI_USA)	1				
12	136929	Instructions manual - Container rinse nozzle	1				
12A	140202	Operator's manual - Chemical container rinse nozzle - Spanish	1				
12B	158576	Operator's manual-Chemical container rinse nozzle	1				
12C	907212	Operator's manual (Chemical container rinse nozzle - USA)	1				
13	853093	Operator's manual - nozzles	1				
13A	864199	Operator's manual (Nozzles guideline - Spanish)	1				
13B	697912	Jacto nozzles guide (English)	1				
13C	938381	Nozzle guide MI "USA"	1				
14	1177696	Universal key	1				
15	299768	15-liter tank assembly	1				
16	874545	Hose reel	1				
18	479063	Hex. bolt M10 x 80 x 1,25	2				
19	623884	Flat washer ω 10.5 x 21 x 2 - stainless steel	2				
20	362368	Hexagonal Nut Parlock M10 x 1,25	2				
21	996587	Semiclamp for tube 3/4"	4				
22	810697	Bolt M6 x 1 x 20 CL8.8	4				
23	521666	Lock washer ω 5 - stainless steel	4				
24	810689	Hex. nut M6 x 1 CL8	4				
25	877522	Spray lance assembly	1				
26	873232	Flexible hose PT PVC ω 5/16 x 15000	1				
27	063370	Clamp D11-16 - stainless steel	2				
29	531806	O-ring OR1-117	1				
30	636399	Quick fitting clamp	1				
31	107136	Filler unit - 100 L/min (5-meters hose)	1				
31A	457887	Filler unit - 100 L/min. (10-meters hose)	1				

FILLER UNIT (40 L/MIN.) WITHOUT HOSE



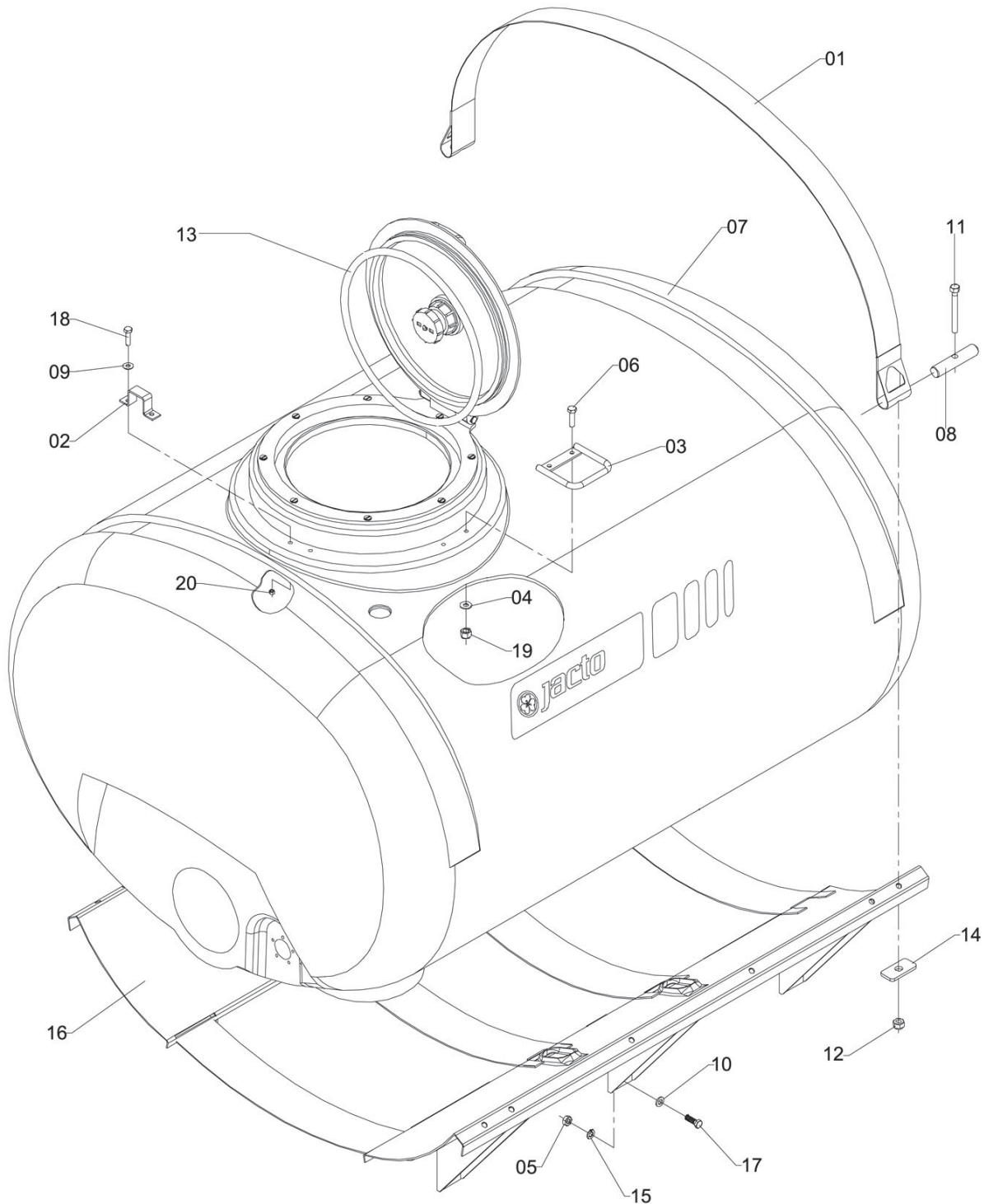
A-52

FILLER UNIT (40 L/MIN.) WITHOUT HOSE

Continuation

Item	CODE	DESCRIPTION	Qty.	Item	CODE	DESCRIPTION	Qty.
00	913400	Filler unit (40 L/min.) without hose	1				
01	913392	Self-tapping screw \varnothing 3,5 x 12	3				
02	417709	O-ring OR1 -012	1				
03	612853	Injection nozzle	1				
04	809848	Fixed nut	1				
05	322537	Dosage bushing	1				
06	107151	Injection venturi	1				
07	612697	Filler body	1				
08	912642	Screw 1/4" UNC x 5/8"	1				
09	612747	Clamp 10	1				
10	052241	Sticker: "JP-40"	1				
11	358267	Flat washer 64 x 125 x 16	1				
12	910117	Lock washer 1/4"	1				
13	912741	Nut \varnothing 1/4" - 20 UNC	1				
14	114967	Filler unit repair kit	1				
15	612721	Spring seat	1				
16	612861	Spring	1				
17	612739	Ejector valve	1				
18	612705	Valve packing	1				
19	111542	Filtering element with hub and screw	1				

2000-LITER TANK



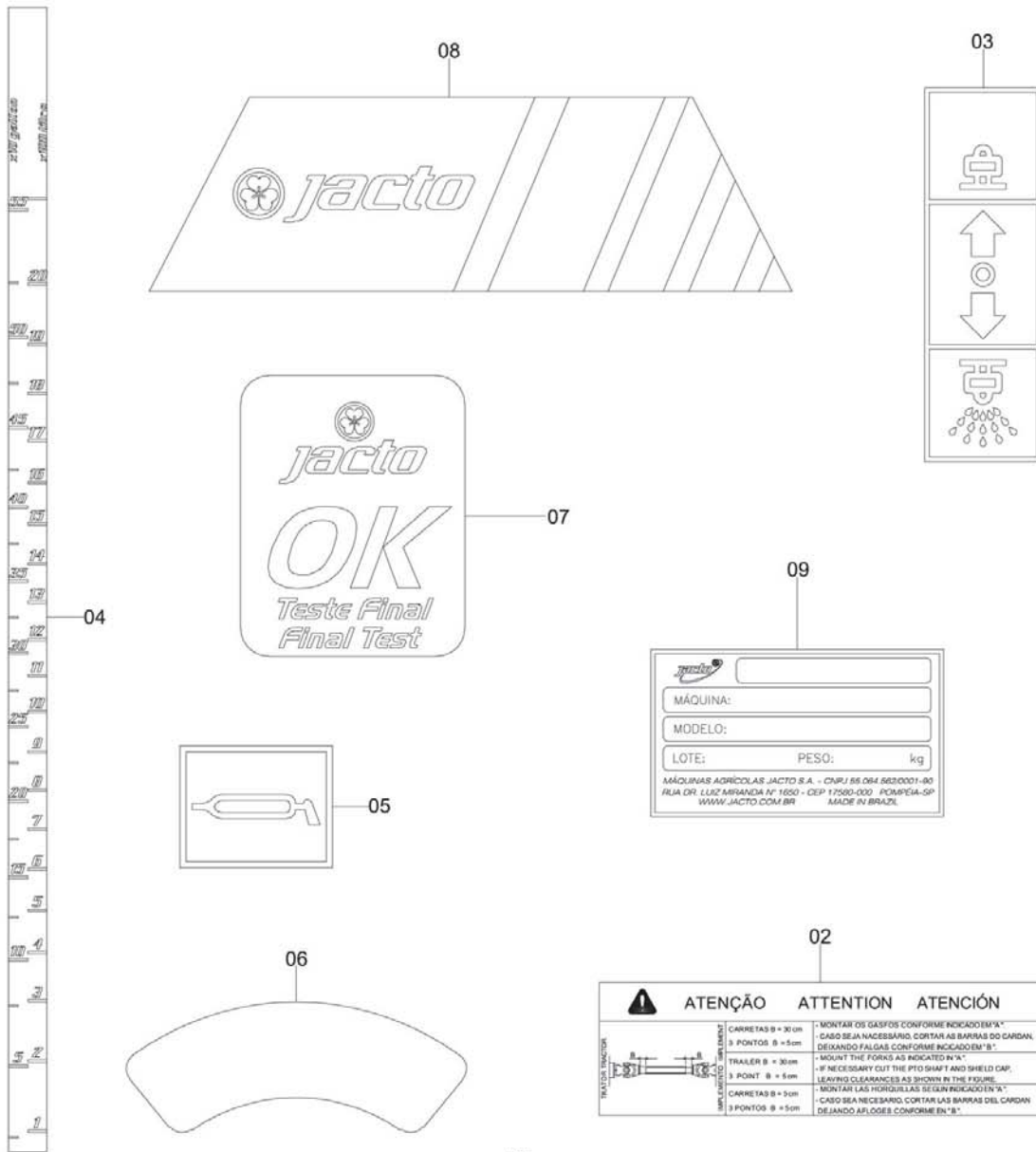
D-236

2000-LITER TANK

Continuation

Item	CODE	DESCRIPTION	Qty.	Item	CODE	DESCRIPTION	Qty.
00	270223	2000-liter Tank	1				
01	191809	Upper strap	2				
02	342261	Clamp for tube 38 x 38	1				
03	362749	Support Handle	1				
04	377911	Flat washer 84 x 160 x 16	2				
05	427013	Nut ABTN - 1020 thread M12 x 1,5 CL8	6				
06	448233	Bolt M8 x 30 x 1,25	2				
07	466706	2000-liter tank with base (plastic)	1				
08	710772	Tightening strap shaft	4				
09	712554	Flat washer 70 x 180 x 12,4	2				
10	818112	Flat washer 130 x 240 x 30	12				
11	935635	Tightening screw 1/2" - 13 UNC	4				
12	202663	Hex. nut 1/2" - 13 UNC	4				
13	994863	Packing ring ω 367 x 6.99	1				
14	997809	Reinforcement 31.8 x 70	4				
15	209163	Lock washer M12	6				
16	247973	Tank mounting base	1				
17	280925	Hex. head bolt M12 x 35 x 1,50	6				
18	295311	Screw M6 x 25 x 1,00 (stainless)	2				
19	221648	Nut M8 x 1.25 - stainless steel	2				
20	730309	Hex. nut M6 x 1.00 - Steel	2				

STICKERS: (J2000)



	Kg/ha	l/ha	l/ha
10.3 - 25.2	150 - 247	140 - 182	
39 - 50	383 - 490	282 - 382	
10.3 - 11.7	100 - 119	79 - 88	
18 - 23.5	176 - 230	130 - 169	

	l/ha	l/ha
Atlas 500	175/70	81.1
Atlas 500	7.35-14	25
Atlas 1000	7.35-14	36
Atlas 1500/1750	7.50-15	39
Atlas 1500/2000	11-15	44
Atlas 2000/2500	11-15	44
Atlas 2000/2500	7.50-15	39
Atlas 2500/2500	12.2/15-18	24
Atlas 4000/2500	16.0-20	32
Jacto 1000	11-15	24
Jacto 2000	11-15	44
Jacto 2500	7.50-15	39
Jacto 2500	12.4-24	29
Coral 25 e EM	7.5-16	55

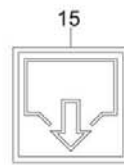
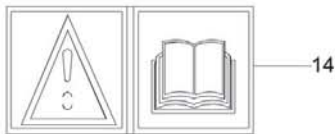
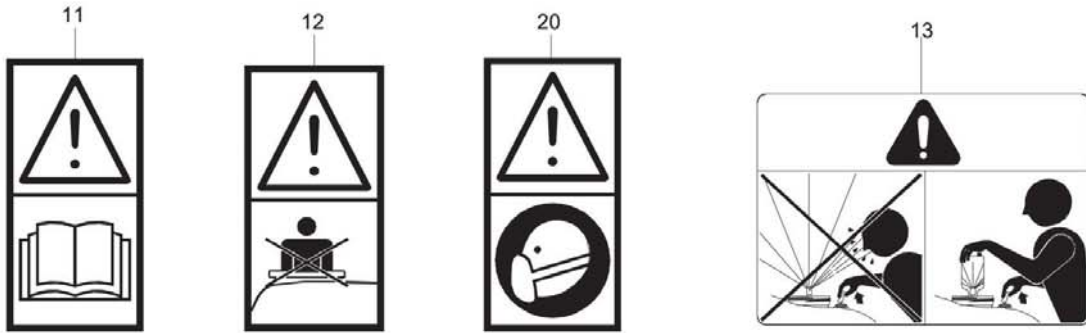
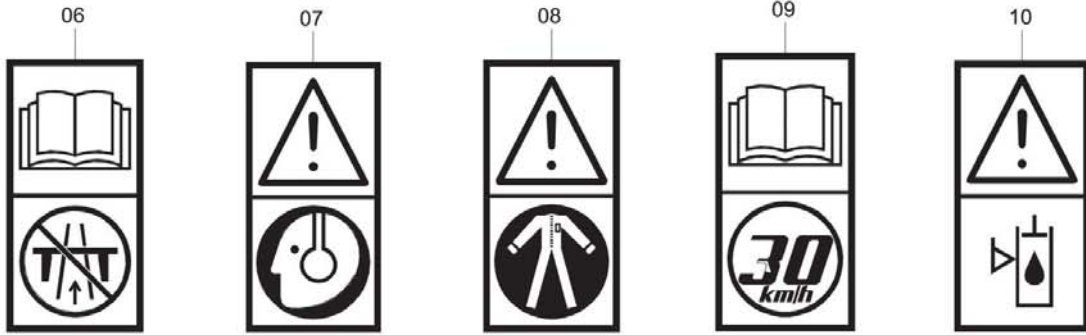
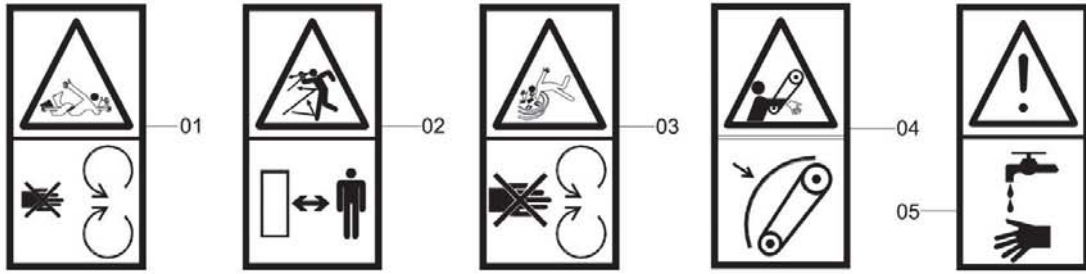
ADS-209

STICKERS: (J2000)

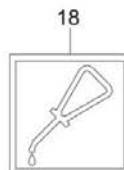
Continuation

Item	CODE	DESCRIPTION	Qty.	Item	CODE	DESCRIPTION	Qty.
00	482497	Stickers: (J2000)	1				
01	906008	Sticker (Trailer Arbus line)	1				
02	428631	Sticker: Pto shaft instructions	1				
03	482927	Sticker: (Open-Close)	2				
04	1157162	Decal "Level Indicator Scale"	1				
05	276220	Sticker: "Lubrication Point Indication"	3				
06	446500	Sticker: "Fan lock instructions"	1				
07	013169	Sticker - "FINAL TEST OK"	1				
08	1180095	Sticker - Fan box "Band + Logo"	1				
09	983932	Identification plate	1				

STICKER (TRAILER ARBUS LINE)



			lbf/pol ²	Kgf/cm ²
Arbus 500	175/70 R13		32	2.25
Arbus 500	7.35-14		26	1.85
Arbus 1000	7.35-14		36	2.55
Arbus 1500/725	7.50-16		36	2.55
Arbus 1500/850	11L-15		44	3.10
Arbus 2000/750	11L-15		44	3.10
Arbus 2000/850	11L-15		44	3.10
Arbus 2000/850	7.50-16		50	3.50
Arbus 2000/850	12.5/80-18		24	1.70
Arbus 4000/850	16.0-20		36	2.50
Jatão 1000	11L-15		24	1.70
Jatão 2600	11L-15		44	3.10
Jatão 2600	7.50-16		50	3.50
Jatão 2600	12.4-24		26	1.83
Coral 2P e EM	7.5-16		56	3.95



	Kgf.m	N.m	lbf.ft	
M16	19.3 - 25.2	190 - 247	140 - 182	
M20	39 - 50	383 - 490	282 - 362	
1/2"	10.3 - 11.7	100 - 115	75 - 85	
5/8"	18 - 23.5	176 - 230	130 - 169	

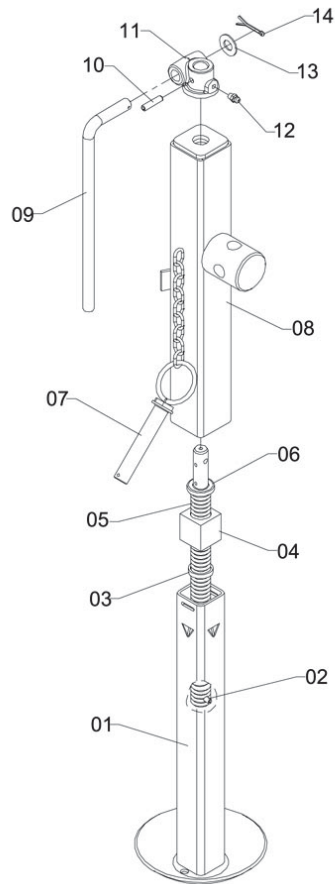
ADS-210

STICKER (TRAILER ARBUS LINE)

Continuation

Item	CODE	DESCRIPTION	Qty.	Item	CODE	DESCRIPTION	Qty.
00	906008	Sticker (Trailer Arbus line)	1				
01	379008	Decal "Danger - PTO Shaft"	1				
02	379040	Decal (Attention: Keep away)	1				
03	379057	Sticker: "Keep at a Distance - Fan"	1				
04	379065	Decal "Keep all protection devices in their places."	1				
05	379073	Sticker: "Tank - Water for Washing Hands"	1				
06	379222	Decal "Attention: This machined is not allowed in highways."	1				
07	379123	Decal "Obligatory use of the hearing protector."	1				
08	379131	Decal "Obligatory use of protective clothing."	1				
09	379214	Sticker: "Maximum Speed 30 KM/H"	1				
10	379107	Sticker: "Hydraulic Oil Level"	1				
11	379248	Sticker: "Read Manual" Vertical	1				
12	380014	Decal (Attention: do not get into the main tank of the sprayer)	1				
13	169128	Sticker: "Chemical container rinse nozzle"	1				
14	379230	Sticker: "Read Manual" Horizontal	1				
15	389387	Sticker: "Drain Indication"	1				
16	276238	Sticker: "Jack Positioning Indication"	2				
17	391631	Sticker: "Tire Pressure Indication"	2				
18	395061	Sticker: "Lubrication Point Indication - Oil"	2				
19	379164	Sticker: "Nut Torque"	2				
20	379115	Decal "Obligatory use of the protective mask."	1				

JACK NO. 10

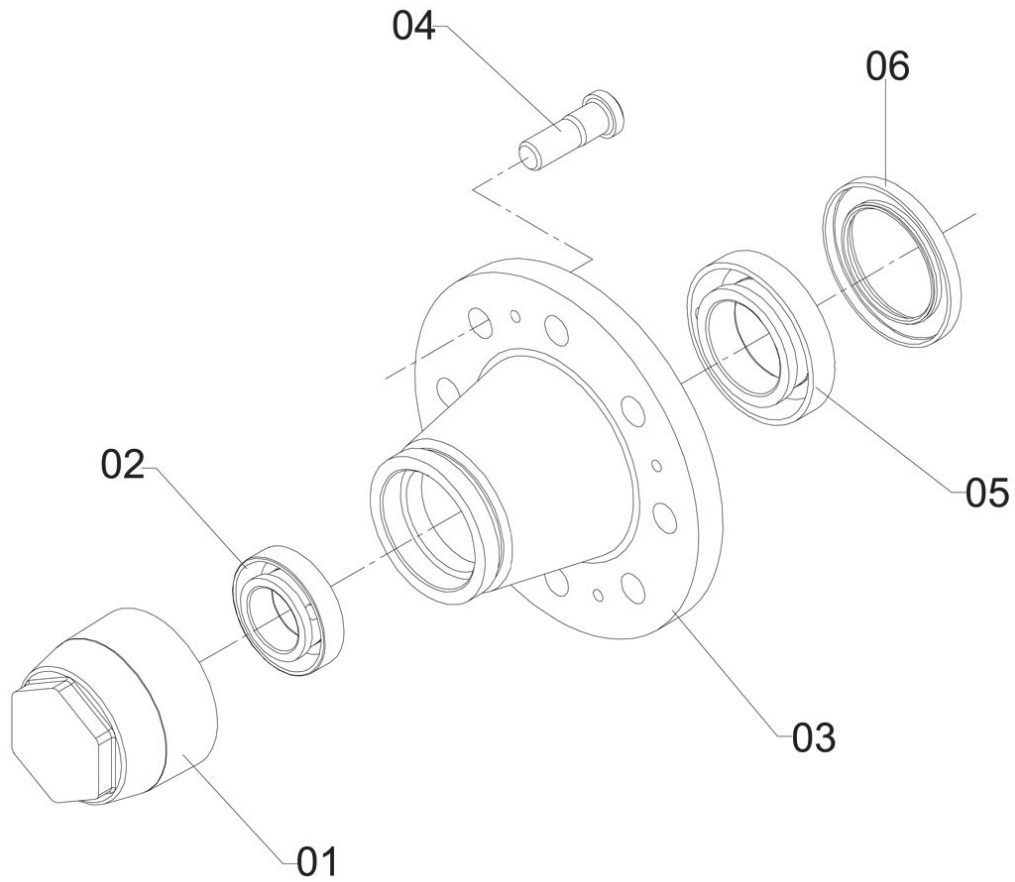


MC-15

Item	CODE	DESCRIPTION	Qty.	Item	CODE	DESCRIPTION	Qty.
00	431064	Jack no. 10	1				
01	670364	Sliding bar	1				
02	103978	Flexible pin 6 x 24	1				
03	429803	Seat ring	1				
04	426544	Square nut	1				
05	330019	Screw \varnothing 7/8" - 9 UNC x 360	1				
06	330084	Bearing	1				
07	431106	Lock pin	1				
08	670323	Jack body	1				
09	331314	Jack handle	1				
10	910802	Flexible pin 6 x 28	1				
11	330043	Bolt head	1				
12	910463	Grease nipple 1/4" - 28 UNF	1				
13	315002	Flat washer 130 x 254 x 15	1				
14	910240	Cotter pin \varnothing 3.17 x 25.4	1				

Controlled copy – Distribution and reproduction prohibited

WHEEL HUB ASSEMBLY - 8 HOLES

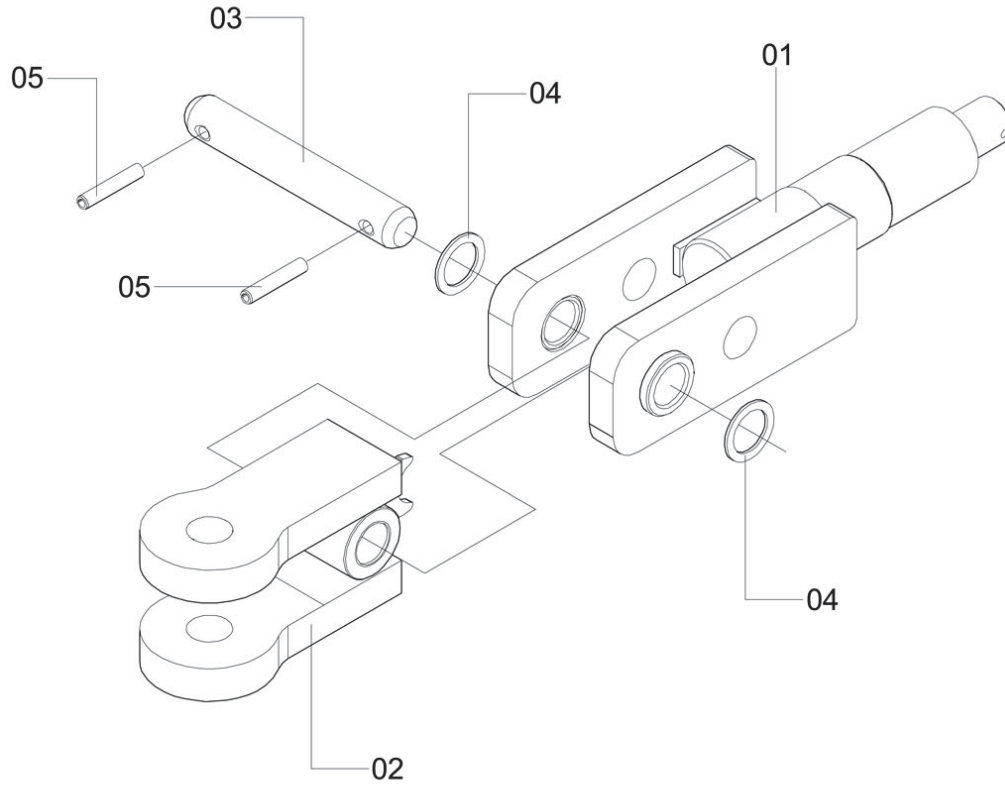


EX-206

Item	CODE	DESCRIPTION	Qty.	Item	CODE	DESCRIPTION	Qty.
00	063586	Wheel hub assembly - 8 holes	1				
01	610188	Hub cap	1				
02	717173	Cone bearing	1				
03	715706	Wheel hub - 8 holes (machined part)	1				
04	715797	Bolt - 5/8" - 18 UNF x 50	8				
05	715805	Cone bearing	1				
06	715789	Retainer 60 x 90.30 x 10	1				

Controlled copy – Distribution and reproduction prohibited

ARTICULATED HITCH

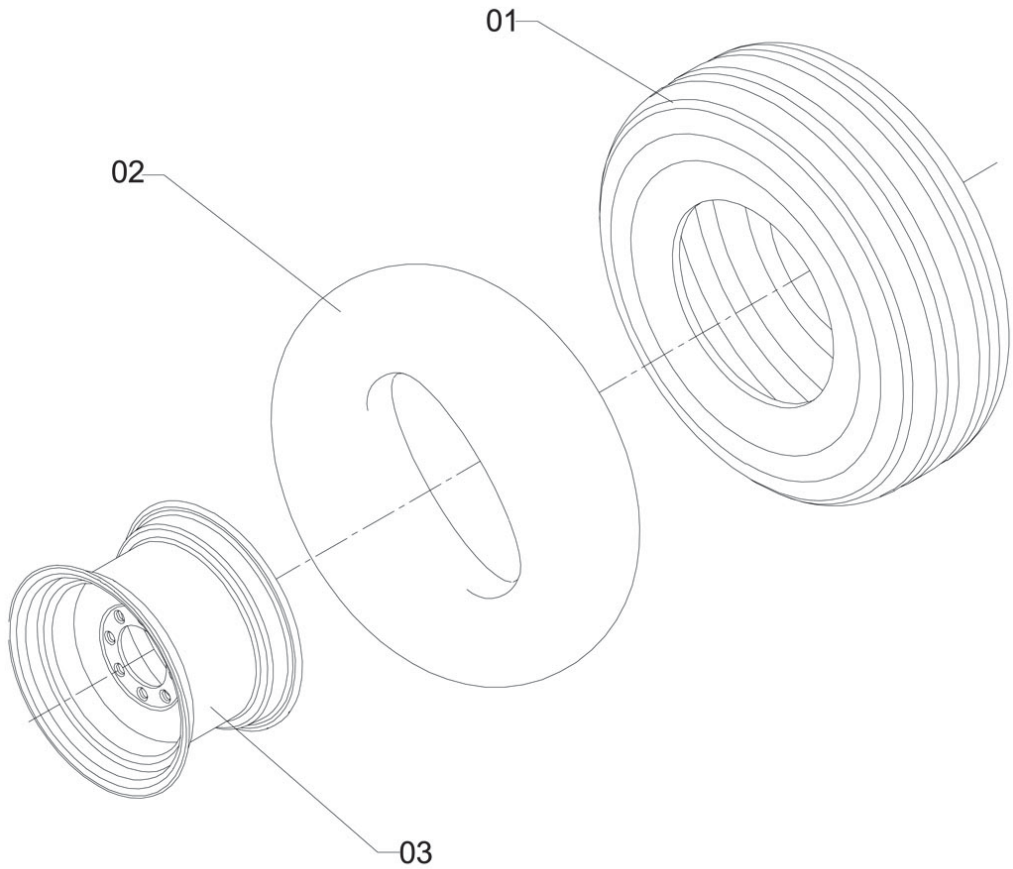


C-497

Item	CODE	DESCRIPTION	Qty.	Item	CODE	DESCRIPTION	Qty.
00	1145214	Articulated Hitch	1				
01	1145054	Hitch fork - Tractor Class "I" ASAE	1				
02	1145072	HITCH FORK WITH LOCK - TRACTOR CLASS "I" ASAE	1				
03	1145035	Pin ω 25.4 x 165	1				
04	541276	Flat washer 268 x 376 x 19	2				
05	912626	Flexible pin	2				

Controlled copy – Distribution and reproduction prohibited

TIRE ASSEMBLY 11LB X 15 WITH 8-HOLE WHEEL

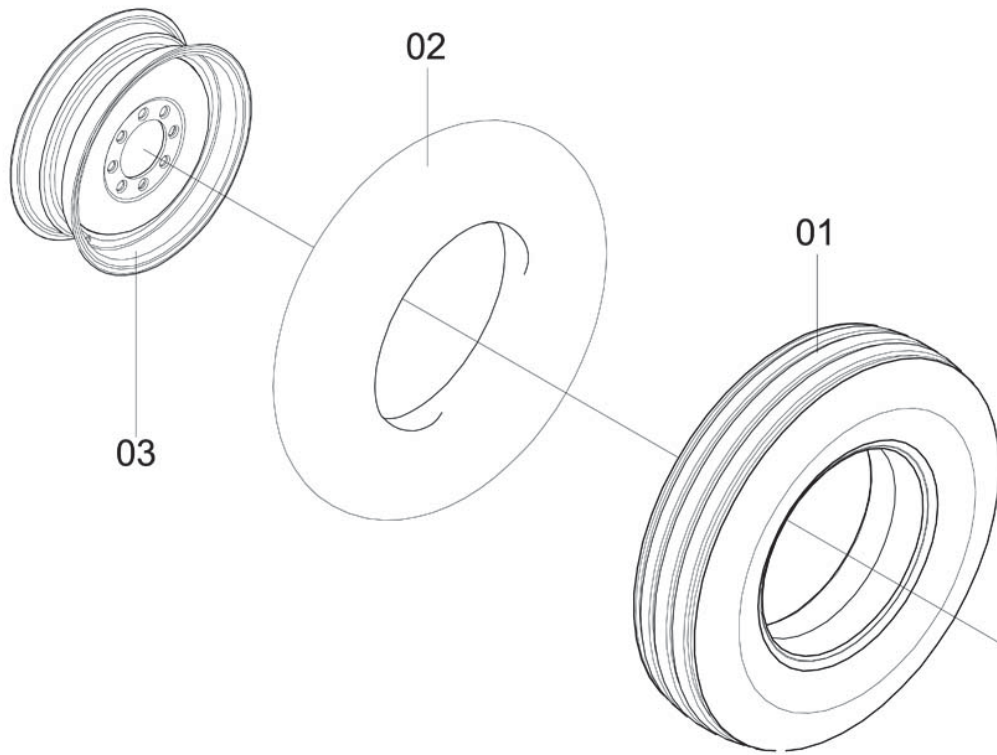


EX-203

Item	CODE	DESCRIPTION	Qty.
00	176917	Tire assembly 11lb x 15 with 8-hole wheel	1
01	006923	Tire 11L-15 - 12 plies	1
02	323402	Inner tube 11 L - 15	1
03	998294	Wheel "10 LB - 15" 8 holes	1

Item	CODE	DESCRIPTION	Qty.

TIRE ASSEMBLY 7.50 X 16 WITH 8-HOLE WHEEL



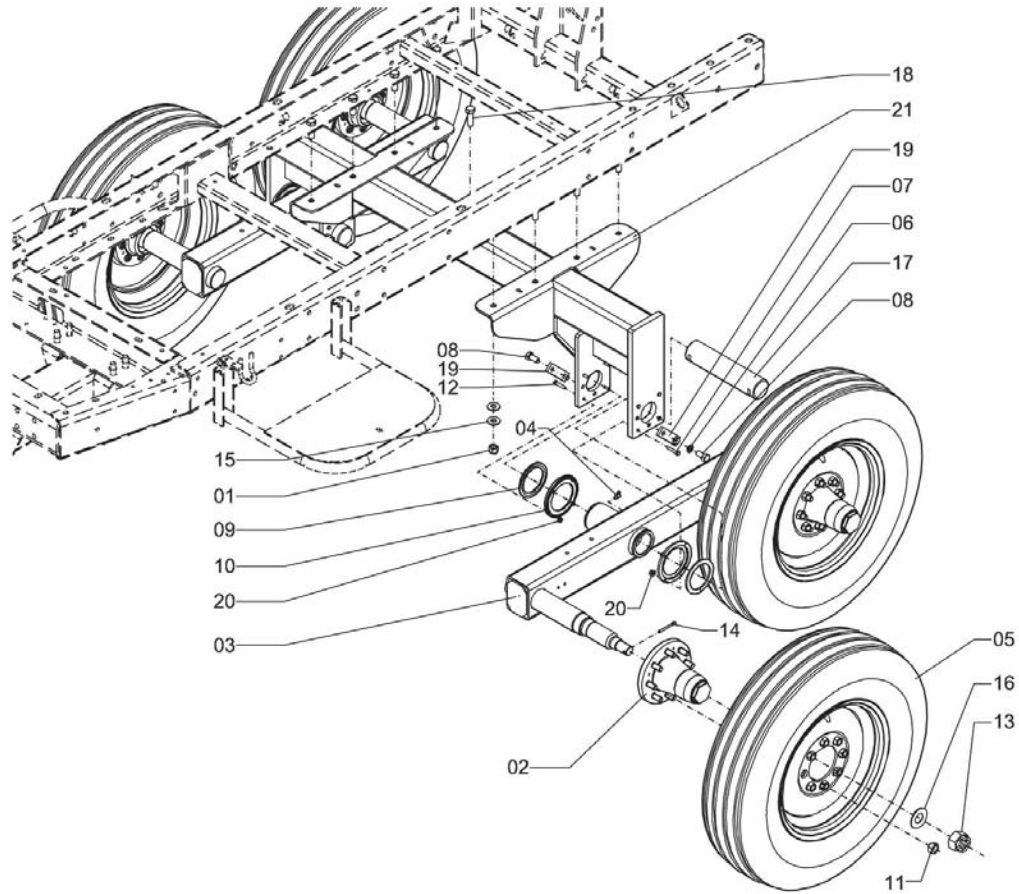
EX-135

Item	CODE	DESCRIPTION	Qty.
00	176172	Tire assembly 7.50 x 16 with 8-hole wheel	1
01	215681	Tire 7.50 - 16	1
02	914721	Inner tube 7.50 x 16	1
03	984641	Wheel 5.5 x 16	1

Item	CODE	DESCRIPTION	Qty.

Controlled copy – Distribution and reproduction prohibited

TANDEM AXLE

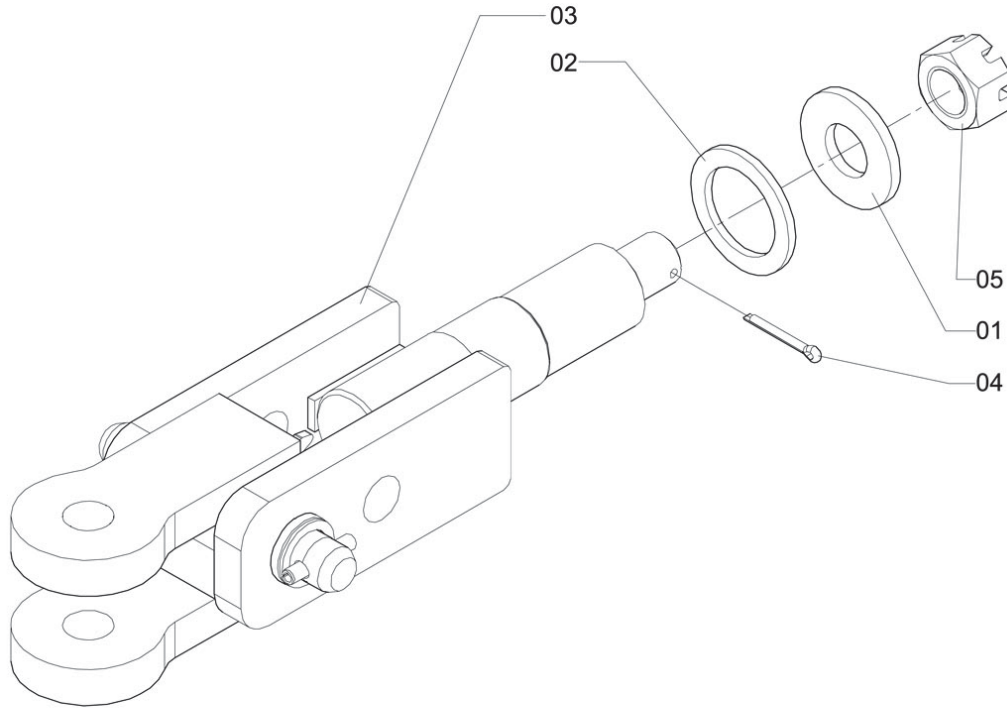


EX-295

Item	CODE	DESCRIPTION	Qty.	Item	CODE	DESCRIPTION	Qty.
00	1213838	Tandem axle	1				
01	044107	Parlock hex. nut M16 x 1.50	8				
02	063586	Wheel hub assembly - 8 holes	4				
03	092544	Rocker arm	2				
04	111245	Grease nipple 1/4" x 28 UNF x 45	2				
05	176172	Tire assembly 7.50 x 16 with 8-hole wheel	4				
06	209163	Lock washer M12	8				
07	234765	Bolt M6 x 35 x 1.00 CL.88	8				
08	579722	Hex head bolt M12 x 25 x 1.50	8				
09	620997	Felt ring	4				
10	621003	Seal seat	4				
11	700377	Lug nut w 5/8" - 18 UNF	32				
12	810895	Bolt M6 x 1 x 30 CL.8	8				
13	831347	Castle nut M30 x 2"	4				
14	831354	Cotter pin w 6.30 x 50.8	4				
15	881300	Flat washer 170 x 380 x 3.0	16				
16	881334	Flat washer 330 x 650 x 31	4				
17	984948	Shaft w 63.5 x 280	2				
18	984963	Hex. bolt M16 x 50 x 1.50	8				
19	992677	Shaft lock	4				
20	1150358	Hex nut with flange M6 x 1 CL 8	16				

Controlled copy – Distribution and reproduction prohibited

ARTICULATED HITCH ASSEMBLY - TRACTOR CLASS "I" ASAE



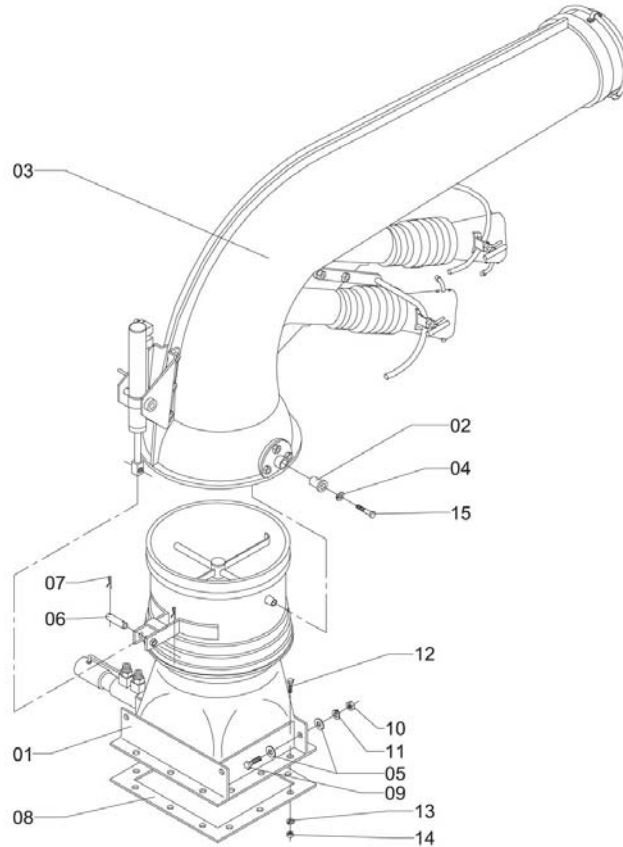
C-498

Item	CODE	DESCRIPTION	Qty.
00	487215	Articulated hitch assembly - Tractor Class "I" ASAE	1
01	001982	Flat washer 300 x 650 x 63	1
02	007567	Flat washer 500 x 700 x 47.5	1
03	1145214	Articulated Hitch	1
04	209783	Cotter pin ω 4.75 x 38.1	1
05	625160	Castle nut 1.1/8" - 7 UNC	1

Item	CODE	DESCRIPTION	Qty.

Controlled copy – Distribution and reproduction prohibited

APPLICATION ASSEMBLY

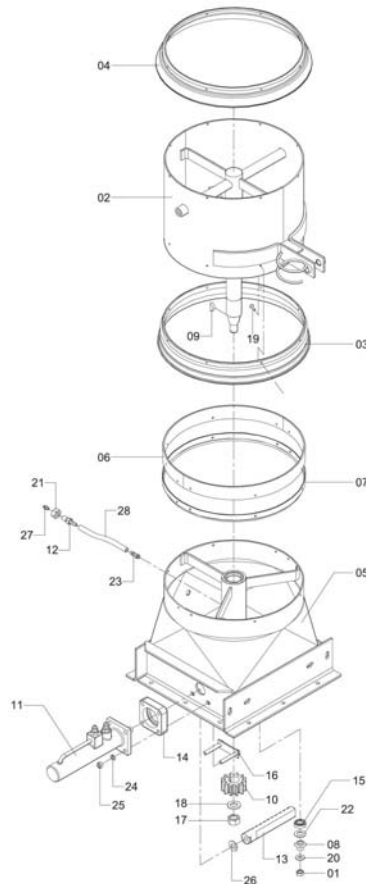


CA-287

Item	CODE	DESCRIPTION	Qty.	Item	CODE	DESCRIPTION	Qty.
00	046457	Application assembly	1				
01	580548	Intermediary duct - JS2000 (rotating)	1				
02	620682	Bushing 15.9 x 28	2				
03	298828	Upper duct assembly - J2000	1				
04	908566	Lock washer 3/8"	2				
05	623884	Flat washer ω 10.5 x 21 x 2 - stainless steel	8				
06	520015	Joint pin	1				
07	808451	Cotter pin ω 2.38 x 19.05	2				
08	519702	Packing 32 x 325 x 3.20	4				
09	936146	Bolt M10 x 1.25 x 35 CL 8.8	4				
10	209205	Hex. nut M10 x 1,50	4				
11	209395	Lock washer M10	4				
12	829382	Hex head bolt M8 x 25 x 1.25	12				
13	519736	Lock washer ω	12				
14	810770	Hex. nut M8 x 1.25	12				
15	912717	Bolt 3/8" x 16 UNC x 1.3/4"	2				

Controlled copy – Distribution and reproduction prohibited

INTERMEDIARY DUCT - JS2000 (ROTATING)

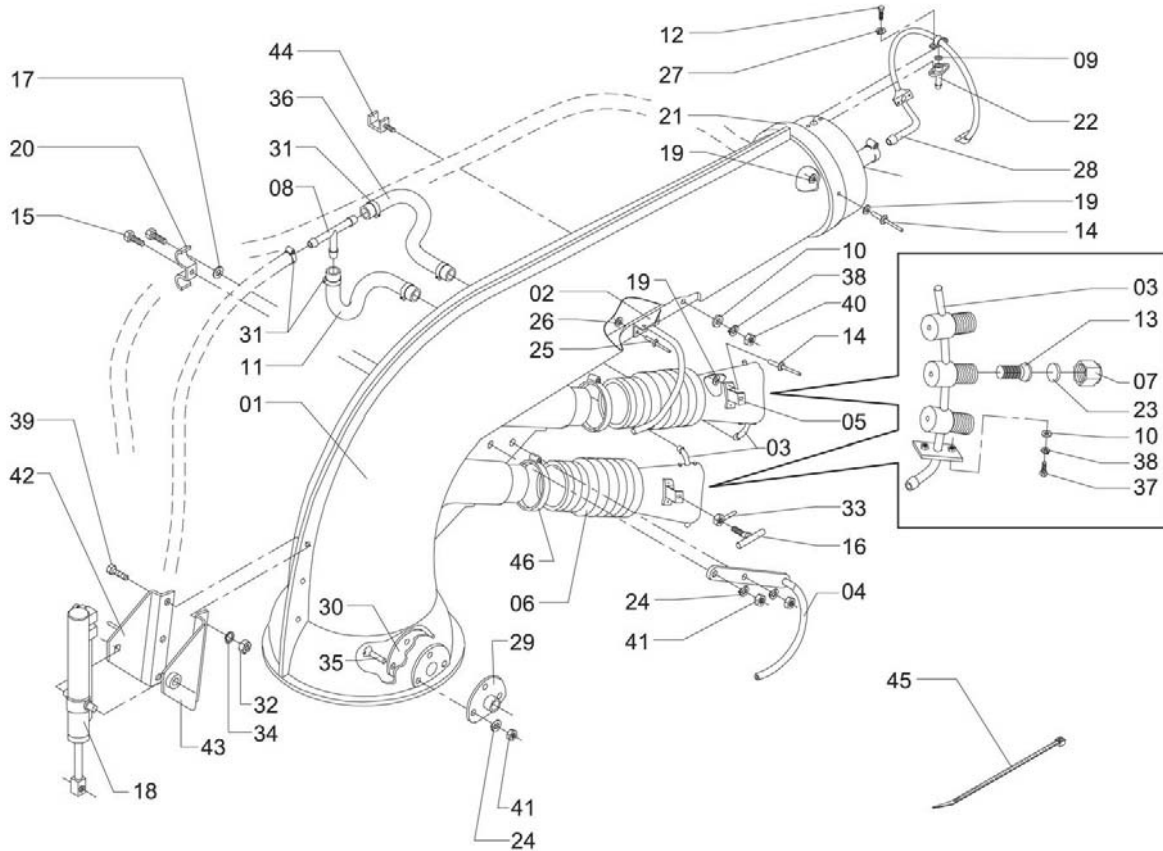


CA-286

Item	CODE	DESCRIPTION	Qty.	Item	CODE	DESCRIPTION	Qty.
00	580548	Intermediary duct - JS2000 (rotating)	1				
01	108761	Nut 3/8" - 16 UNC	1				
02	519041	Swivelling body	1				
03	519140	Protective ring (JS-600) - polyethylene	1				
04	519173	Spherical packing (JS-600)PEAD POLISUL GC7	1				
05	519199	Fixed duct	1				
06	519306	Packing	1				
07	519314	Fastening ring	1				
08	519330	Bushing	1				
09	519348	Half moon key 6 x 9 x 22	1				
10	519355	Gear	1				
11	045889	Hydraulic cylinder 32 x 100 with nipple	1				
12	426189	Fitting	1				
13	519975	Rack	1				
14	519983	Hydraulic cylinder spacer	1				
15	520734	Bearing no. 6002	1				
16	520999	Clip plate	2				
17	521021	Nut M-16 X 1.50 DODI LOC	1				
18	521039	Flat washer 170 x 300 x 30	1				
19	519785	Rivbet Pop	24				
20	623884	Flat washer \varnothing 10.5 x 21 x 2 - stainless steel	1				
21	916627	Nut 7/16" - 14 UNC	1				
22	705129	Flat washer 152 x 272 x 9	1				
23	426205	Male fitting for hose \varnothing 1/4"	1				
24	519736	Lock washer \varnothing	4				
25	912758	Hex. nut 5/16" - 18 UNC	4				
26	903591	Flat washer 25.8 x 13.4 x 1.25	1				
27	910463	Grease nipple 1/4" - 28 UNF	1				
28	517920	Hose \varnothing 1/4" x 340	1				

Controlled copy – Distribution and reproduction prohibited

UPPER DUCT ASSEMBLY - J2000

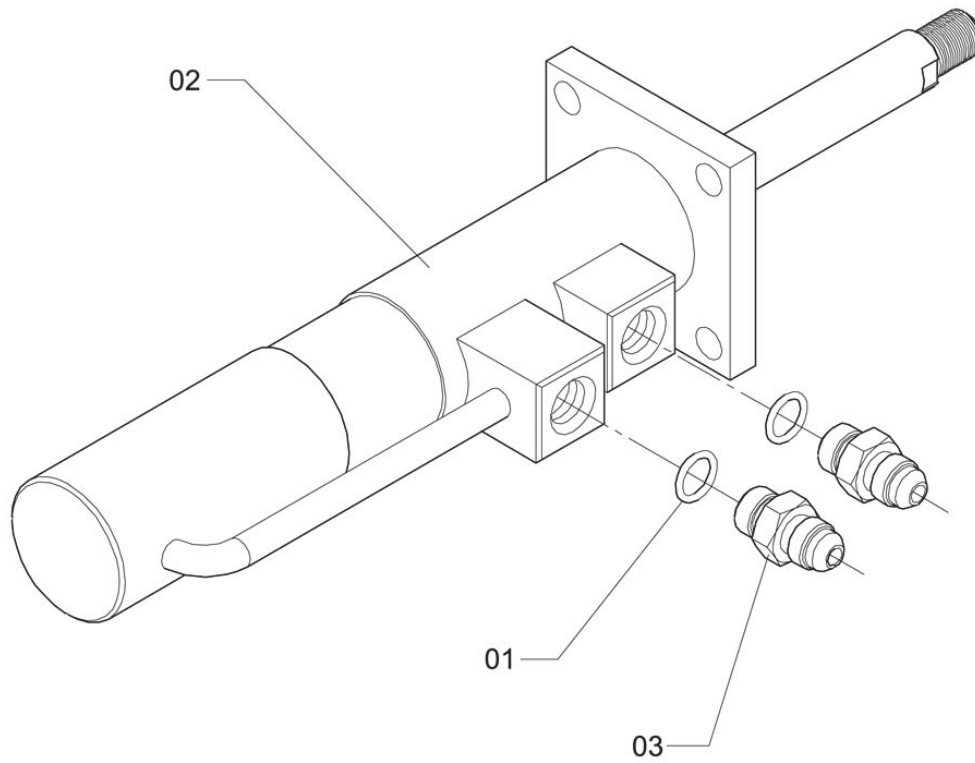


CA-288

Item	CODE	DESCRIPTION	Qty.	Item	CODE	DESCRIPTION	Qty.
00	298828	Upper duct assembly - J2000	1	30	620674		2
01	180620	Outlet duct	1	31	063370	Clamp D11-16 - stainless steel	5
02	332478	Upper slide	1	32	209205	Hex. nut M10 x 1,50	3
03	332536	Lower nozzle branch	2	33	823682	Lock nut 5/16" - 18 UNC x 28	2
04	332569	Lower slide	1	34	209395	Lock washer M10	3
05	332601	Extension guide	2	35	833814	Screw \varnothing 5/16" UNC x 1"	6
06	337980	Outlet hose body	2	36	1186855	Flexible hose - 3/8" x 510	1
07	039545	Hex. nut \varnothing 1 1/16" - 16 UNC	6	37	910109	Screw \varnothing 1/4" - 20 UNC x 1/2"	4
08	409169	Tee fitting for hose \varnothing 3/8"	1	38	910117	Lock washer 1/4"	5
09	411884	O-ring ORI - 111	3	39	757559	Hex. bolt M10 x 30 x 1.25	3
10	413468	Flat washer \varnothing 6.8 x 18 x 1.2 - stainless steel	5	40	912741	Nut \varnothing 1/4" - 20 UNC	1
11	421107	Hose 3/8" x 330	1	41	912758	Hex. nut 5/16" - 18 UNC	8
12	202382	Screw 3/16" UNC x 3/4"	6	42	926337	Cylinder support	1
13	439083	Nozzle filter (50 mesh) - black/black	6	43	926345	Cylinder support	1
14	519777	Rivet \varnothing POPI \varnothing 4.0 x 12.8	8	44	519363	Single fastener	1
15	721704	Hex. bolt 5/16" UNC 1.1/4"	2	45	326710	Hose tie	1
16	944439	Locking screw 5/16" - 18 UNC x 28	2	46	332635	Clamp D102-121 - stainless steel	2
17	423913	Flat washer 82 x 200 x 12	1				
19	508515	Flat washer \varnothing 4,3 x 10,2 x 0,8 - stainless steel	12				
20	519389	Double fastener	1				
21	519421	Upper coupling end (JS-600) PPH 20%FV-POL.	1				
22	519603	Deflector nozzle 30e	3				
23	519645	Blank disk	6				
24	519736	Lock washer \varnothing	8				
25	519769	Rivet Pop - \varnothing 4.0 x 10.2	3				
26	979237	Flat washer 5,30 x 10,0 x 1,0	3				
27	520676	Lock washer \varnothing 5	6				
28	521617	Upper nozzle branch	1				
29	620633	External bearing	2				
30	620674	Internal bearing	2				

Controlled copy – Distribution and reproduction prohibited

HYDRAULIC CYLINDER 32 X 100 WITH NIPPLE

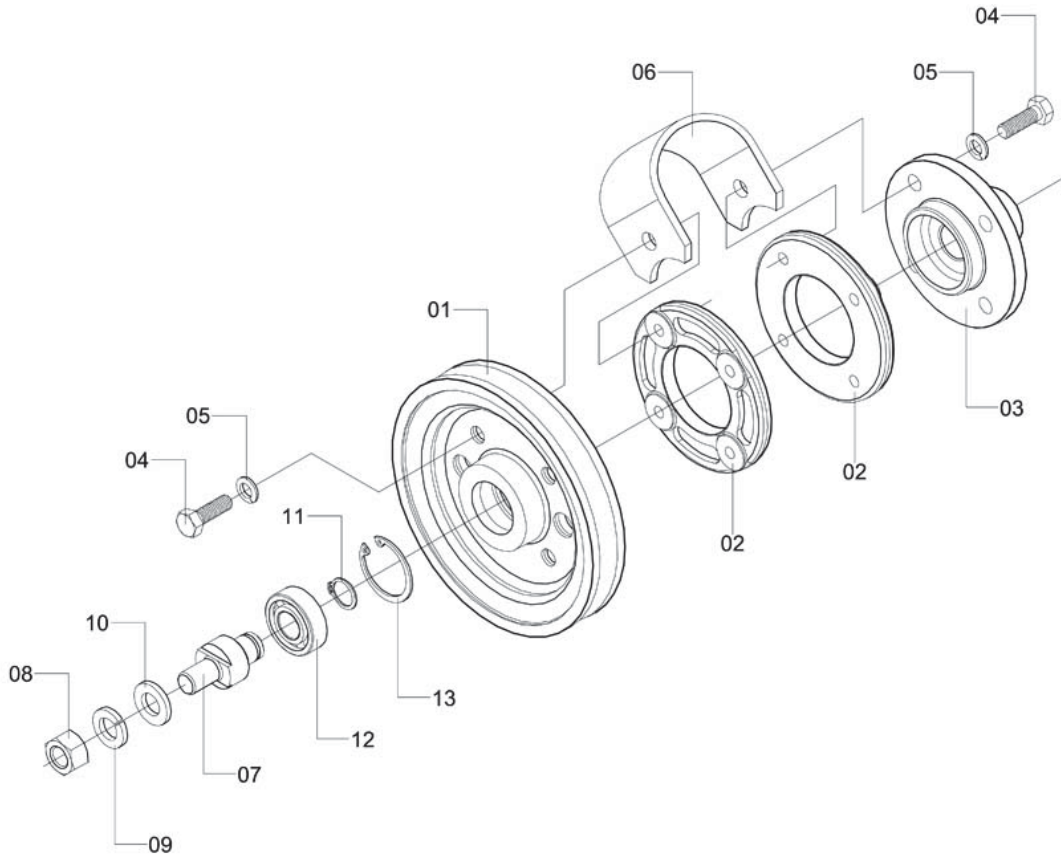


CH-632

Item	CODE	DESCRIPTION	Qty.	Item	CODE	DESCRIPTION	Qty.
00	045889	Hydraulic cylinder 32 x 100 with nipple	1				
01	426361	Packing ring ω 10.52 x 1.83 OR2-5	2				
02	519967	Hydraulic cylinder ω 32 x 100	1				
02A	130674	Repair kit	1				
03	521906	Dosage nipple 0.50	2				

Controlled copy – Distribution and reproduction prohibited

FLEXIBLE COUPLING 9

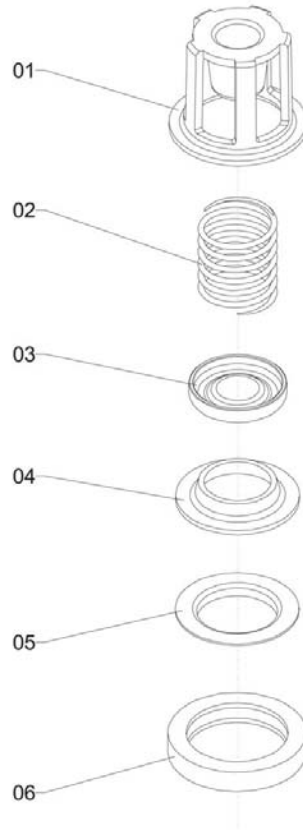


LE-12

Item	CODE	DESCRIPTION	Qty.	Item	CODE	DESCRIPTION	Qty.
00	727925	Flexible coupling 9	1				
01	727917	Pulley ω 146-1A	1				
02	326462	Ring	2				
03	326470	Hub ω 19	1				
04	836502	Screw 5/16" - 18 UNC x 1"	8				
05	519736	Lock washer ω	8				
06	326447	Flexible link 125	4				
07	817627	Tightening pulley shaft 15 x 50.5	1				
08	912790	Hex. nut 1/2" - 13 UNC	1				
09	908582	Lock washer 1/2"	1				
10	818112	Flat washer 130 x 240 x 30	1				
11	910851	Snap ring for shaft 15	1				
12	328781	Fixed bearing	1				
13	517557	Snap ring for hole	1				

Controlled copy – Distribution and reproduction prohibited

PUMP VALVE

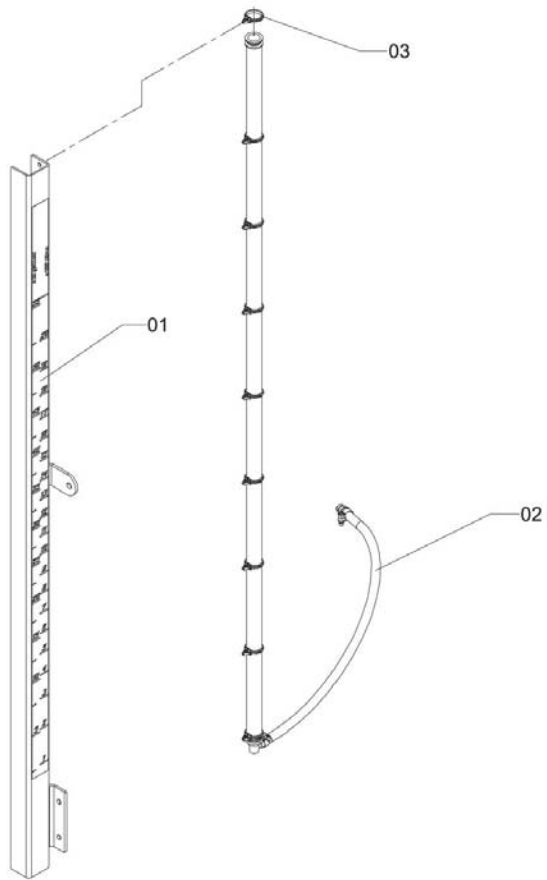


B-137

Item	CODE	DESCRIPTION	Qty.	Item	CODE	DESCRIPTION	Qty.
00	261404	Pump valve	1				
01	073809	Gaiola	1				
02	088070	Compression spring ω 19.7 z LO= 23.1	1				
03	088187	Disc ω 21.9/22	1				
04	407296	Valve seat	1				
05	508317	Guide ring - pump valve	1				
06	508333	Valve packing	1				

Controlled copy – Distribution and reproduction prohibited

LEVEL INDICATOR NO. 11

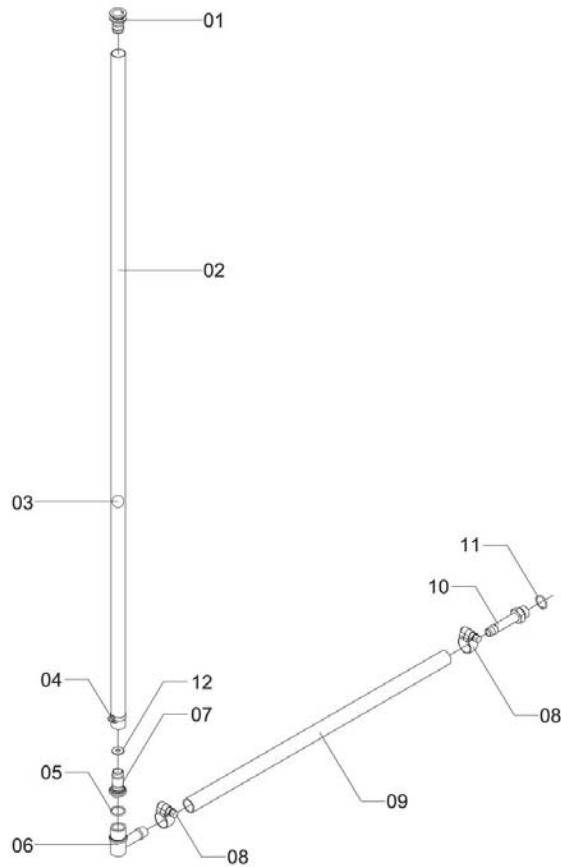


MN-70

Item	CODE	DESCRIPTION	Qty.
00	263301	Level indicator no. 11	1
01	251736	Level indicator body	1
02	278705	Level indicator	1
03	546598	Hose clip ω 22/25	8

Item	CODE	DESCRIPTION	Qty.

LEVEL INDICATOR

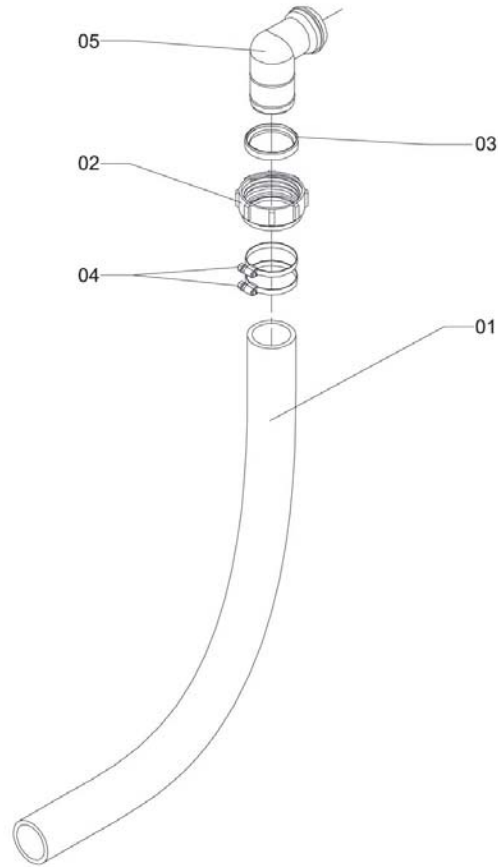


MN-61

Item	CODE	DESCRIPTION	Qty.	Item	CODE	DESCRIPTION	Qty.
00	278705	Level indicator	1				
01	537381	Plug	1				
02	297606	Transparent hose 3/4" 1370	1				
03	324764	Float w 14	1				
04	423814	Clamp D22-32 - stainless steel	1				
05	901405	Packing ring ORI-014	1				
06	519587	Fitting 3/8" x 90	1				
07	239764	Fitting 3/4" x 22.6	1				
08	063370	Clamp D11-16 - stainless steel	2				
09	421099	Hose Ш 3/8" x 750 - PT-80	1				
10	998963	Fitting 1/4" BSP for hose 3/8"	1				
11	411884	O-ring ORI - 111	1				
12	712554	Flat washer 70 x 180 x 12,4	1				

Controlled copy – Distribution and reproduction prohibited

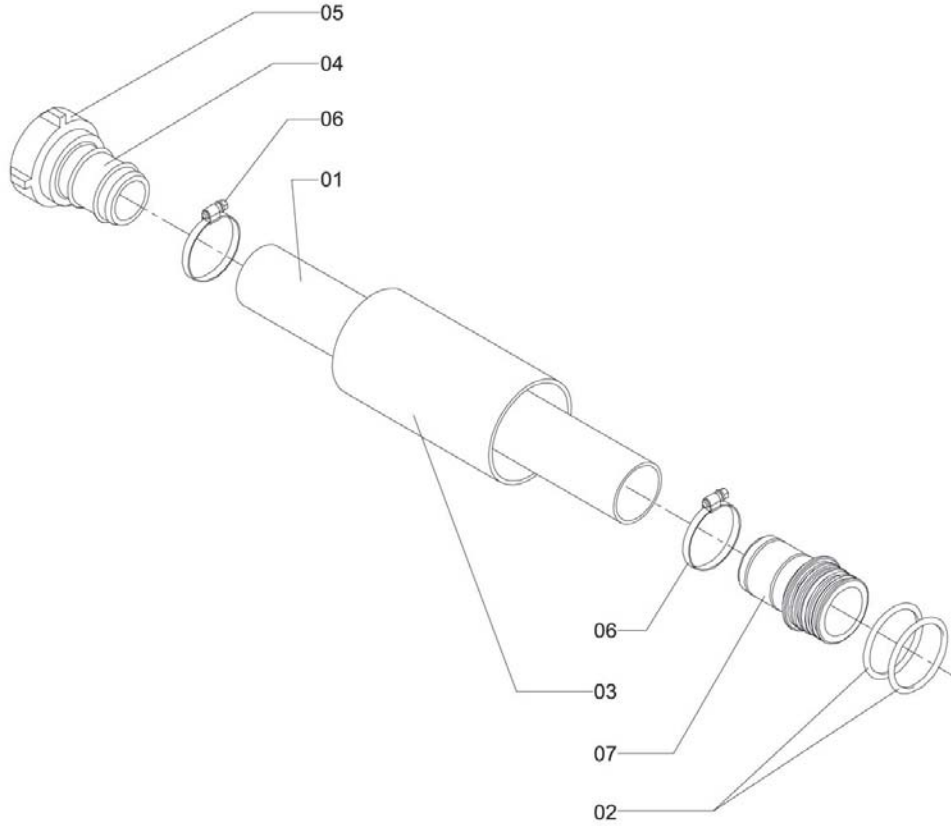
HOSE - FILTER / JUMP



MD-039

Item	CODE	DESCRIPTION	Qty.	Item	CODE	DESCRIPTION	Qty.
00	265249	Hose - Filter / Jump	1				
01	435123	Hose ω 50 (2") x 520 - KM 50 blue	1				
02	005900	Coupling nut filter	1				
03	005918	Locking ring	1				
04	626580	Clamp D51-64	2				
05	725135	Curve hose fitting 2" x 90°	1				

HOSE - FILTER / TANK

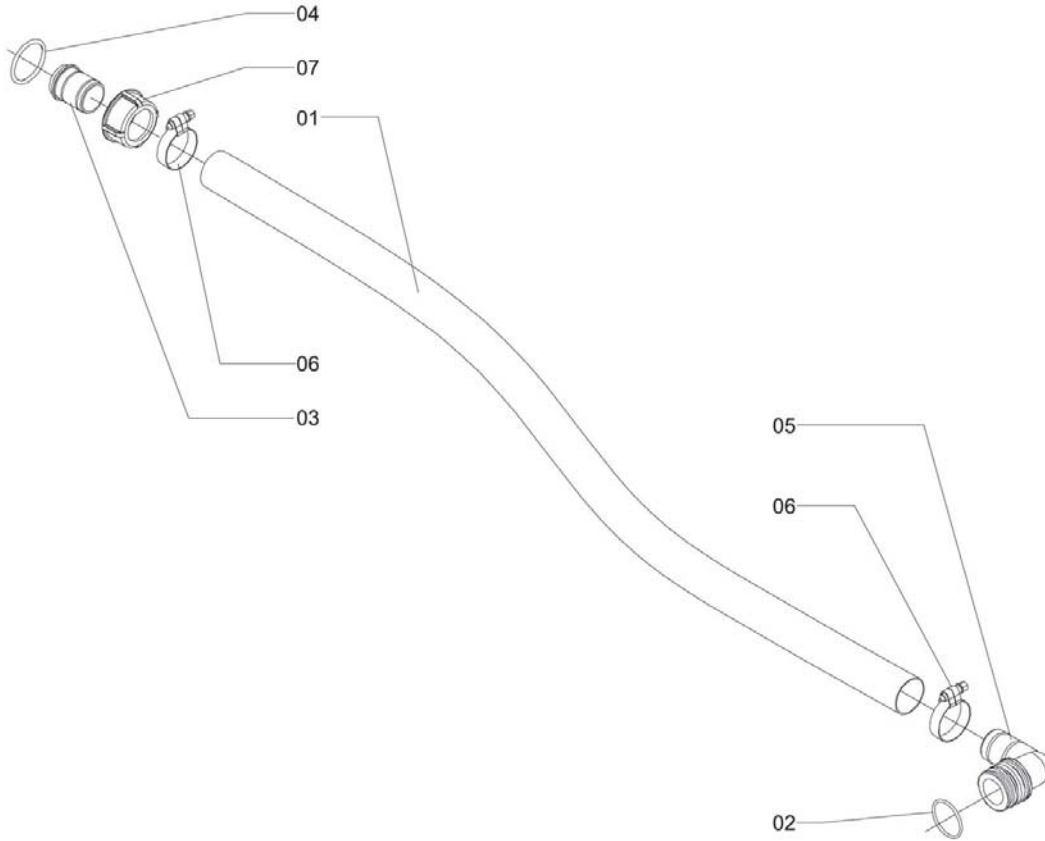


MD-038

Item	CODE	DESCRIPTION	Qty.	Item	CODE	DESCRIPTION	Qty.
00	265256	Hose - Filter / Tank	1				
01	281592	Flexible hose - 2" x 330mm	1				
02	417717	O-ring OR1-227	2				
03	066589	Protective hose 76.2 x 170	1				
04	534412	Hose fitting 2"	1				
05	005900	Coupling nut filter	1				
06	626580	Clamp D51-64	2				
07	066043	Hose fitting 2"	1				

Controlled copy – Distribution and reproduction prohibited

HOSE - RINSE NOZZLE / CONTROL

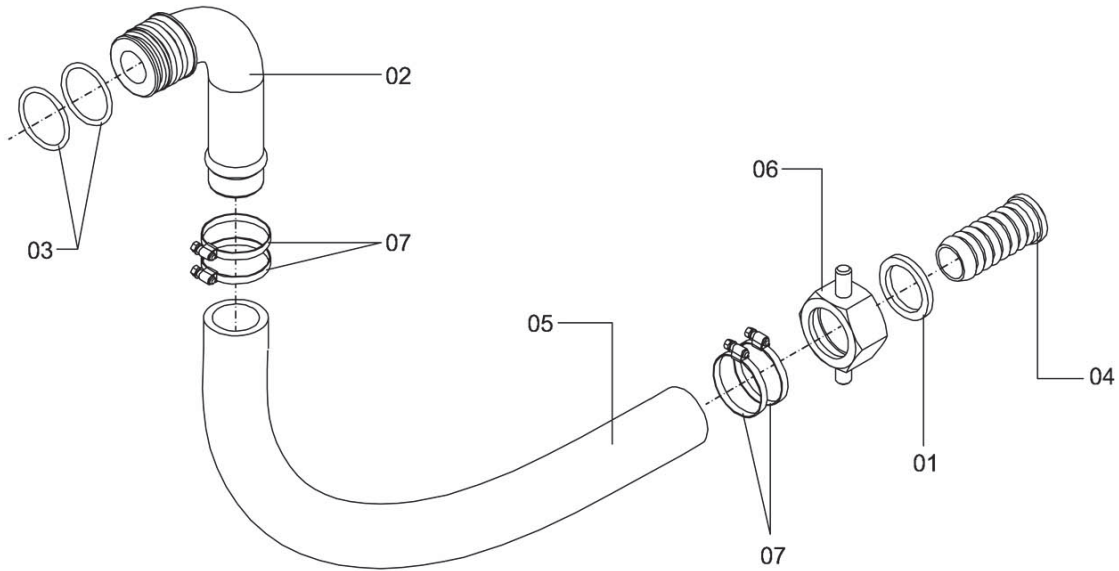


MD-037

Item	CODE	DESCRIPTION	Qty.	Item	CODE	DESCRIPTION	Qty.
00	265264	Hose - Rinse nozzle / Control	1				
01	162156	Hose \varnothing 1.1/4 x 1000	1				
02	618355	O-ring OR2-220	1				
03	731513	Hose fitting 31.8 (1.1/4") x 33	1				
04	731521	O-ring OR1 - 124	1				
05	989053	Elbow fitting 1.1/4" x 90°	1				
06	330969	Clamp D25-38 - stainless steel	2				
07	005884	Nut 1.1/4" BSP	1				

Controlled copy – Distribution and reproduction prohibited

HOSE - CONTROL / PUMP



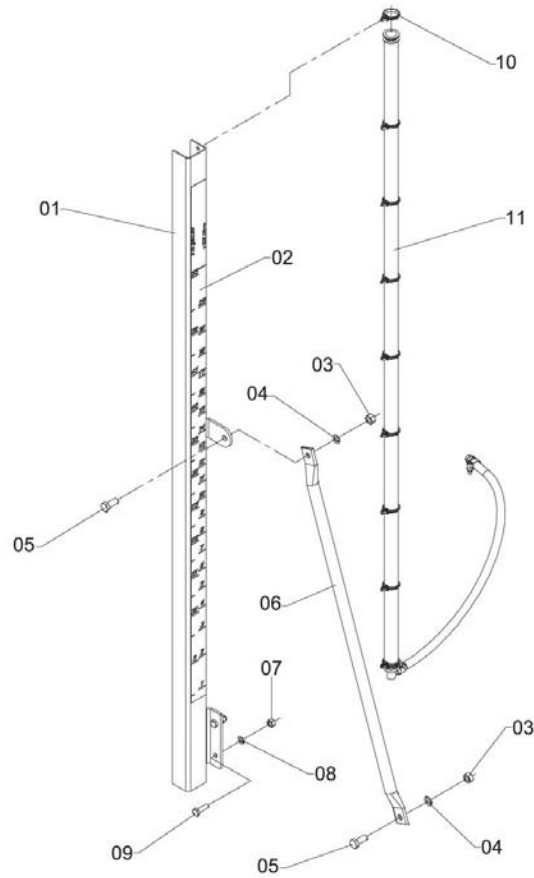
MD-036

Item	CODE	DESCRIPTION	Qty.
00	265272	Hose - Control / Pump	1
01	402412	Lock washer 31 x 22.5 x 22.5/3.0	1
02	989087	Hose fitting 1"	1
03	618355	O-ring OR2-220	2
04	819540	Hose fitting 1"	1
05	097576	Hose MBP-16 - Ш25.4 (1") x 500	1
06	421040	Wing nut 1"	1
07	330969	Clamp D25-38 - stainless steel	4

Item	CODE	DESCRIPTION	Qty.

Controlled copy – Distribution and reproduction prohibited

LEVEL INDICATOR

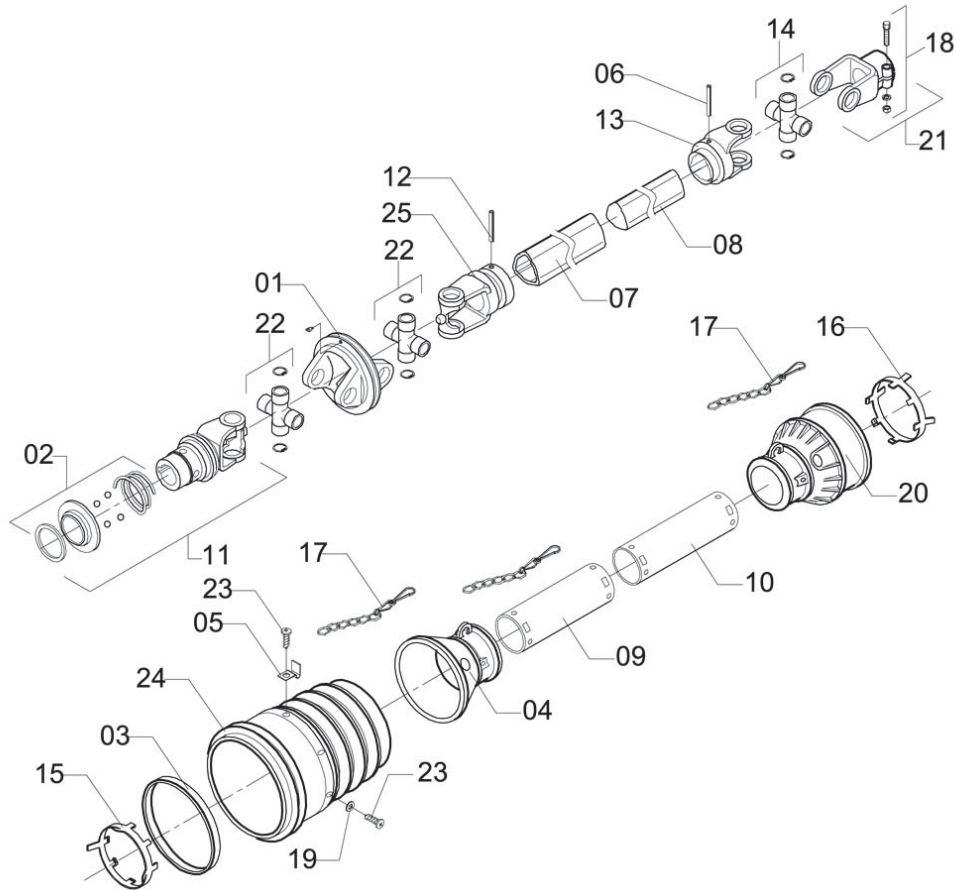


MN-77

Item	CODE	DESCRIPTION	Qty.	Item	CODE	DESCRIPTION	Qty.
00	299701	Level indicator	1				
01	251736	Level indicator body	1				
02	1157162	Decal "Level Indicator Scale"	1				
03	907030	Hex. nut M10 x 1.25	2				
04	209395	Lock washer M10	2				
05	168070	Hex. head bolt M 10 x 25 x 1,25	2				
06	428201	Angle brace 723	1				
07	810770	Hex. nut M8 x 1.25	2				
08	519736	Lock washer ш	2				
09	829382	Hex head bolt M8 x 25 x 1.25	2				
10	546598	Hose clip ш 22/25	9				

Controlled copy – Distribution and reproduction prohibited

WIDE ANGLE CV PTO SHAFT

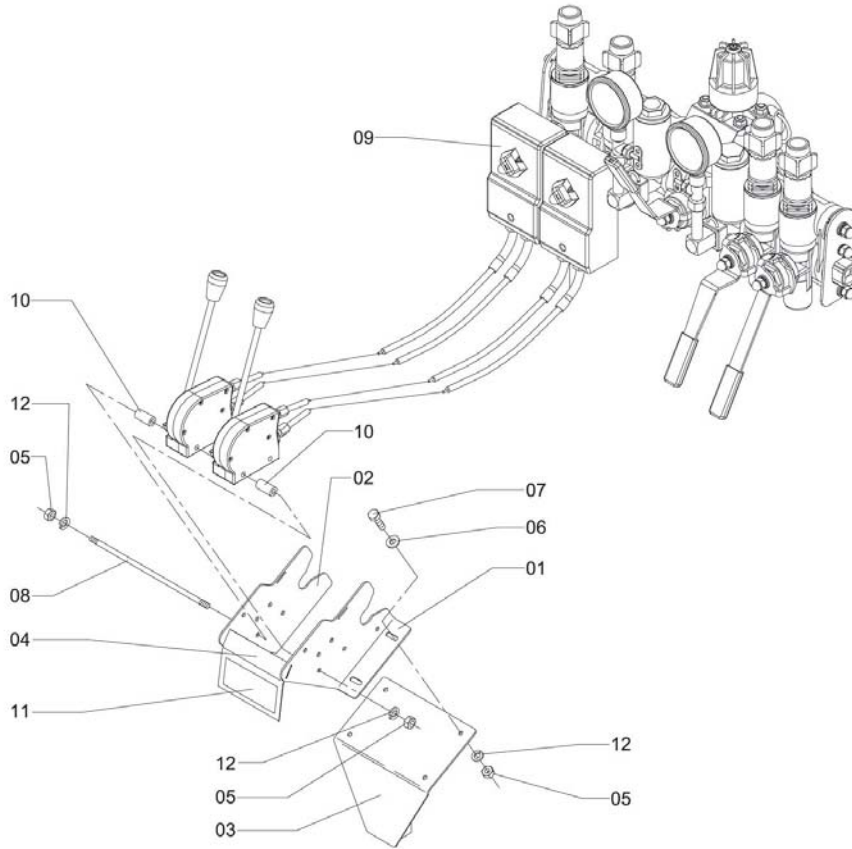


CN-27

Item	CODE	DESCRIPTION	Qty.	Item	CODE	DESCRIPTION	Qty.
00	344762	Wide angle CV PTO shaft	1				
01	008839	Central body	1				
02	585414	PTO end blocking kit - 6 grooves	1				
03	169292	Cross guard lock	1				
04	169326	Intermediate guard (tractor end)	1				
05	169334	PTO shaft chain hook	1				
06	227173	Flexible pin 10 x 65	1				
07	640730	Female tube	1				
08	640748	Male tube	1				
09	640755	Shield (female tube)	1				
10	640763	Shield (male tube)	1				
11	399550	Coupling end - PTO end (1.3/8"Z=6)	1				
12	456970	Flexible pin	1				
13	457010	Male tube coupling end	1				
14	457028	Cross	1				
15	457069	Shield lock	1				
16	457119	Shield lock	1				
17	457127	Chain	3				
18	457192	Bolt and nut	1				
19	501692	Flat washer 52 x 120 x 12	5				
20	572321	Cross shield (sprayer end)	1				
21	640623	Coupling end (sprayer end)	1				
22	681676	Cross assembly	2				
23	856229	Self-tapping bolt with slot PH. 4.8 x 22	6				
24	876789	Central body guard - tractor end	1				
25	876797	Female tube end	1				

Controlled copy – Distribution and reproduction prohibited

CONTROL - MF2000/2 CABLES - J2000

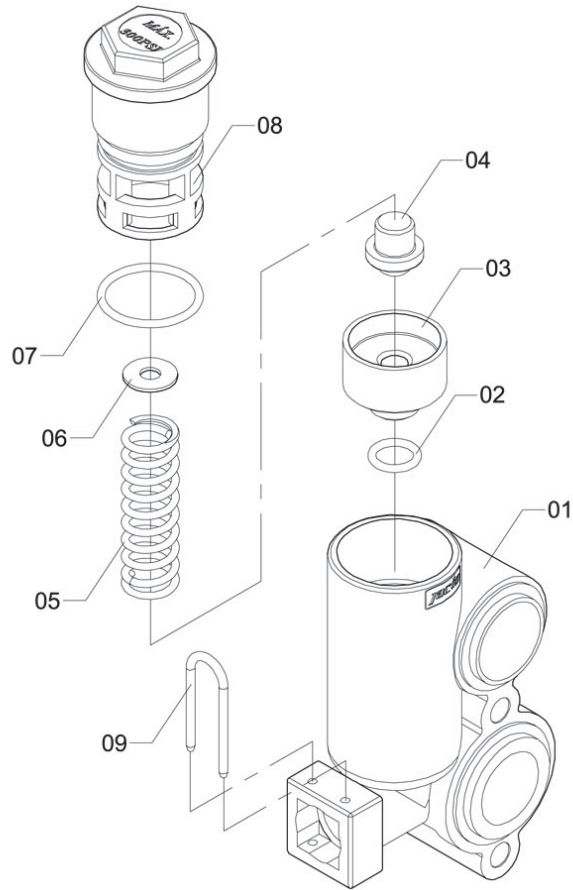


CV-637

Item	CODE	DESCRIPTION	Qty.	Item	CODE	DESCRIPTION	Qty.
00	278283	Control - MF2000/2 cables - J2000	1				
01	067074	Left support rest	1				
02	067488	Right support rest	1				
03	071357	Base	1				
04	071779	Identification plate	1				
05	810689	Hex. nut M6 x 1 CL8	8				
06	818088	Flat washer 71 x 159 x 16	4				
07	829507	Hex. head bolt M6 x 1 x 16 CL8.8	4				
08	095489	Stud bolt M6 x 150 x 1,00	2				
09	195453	Masterflow Control 2000 - 2x2 Lever and cable	1				
10	262725	Bushing 7 x 20.6	4				
11	268615	Sticker	1				
12	521666	Lock washer w5 - stainless steel	8				

Controlled copy – Distribution and reproduction prohibited

SAFETY VALVE

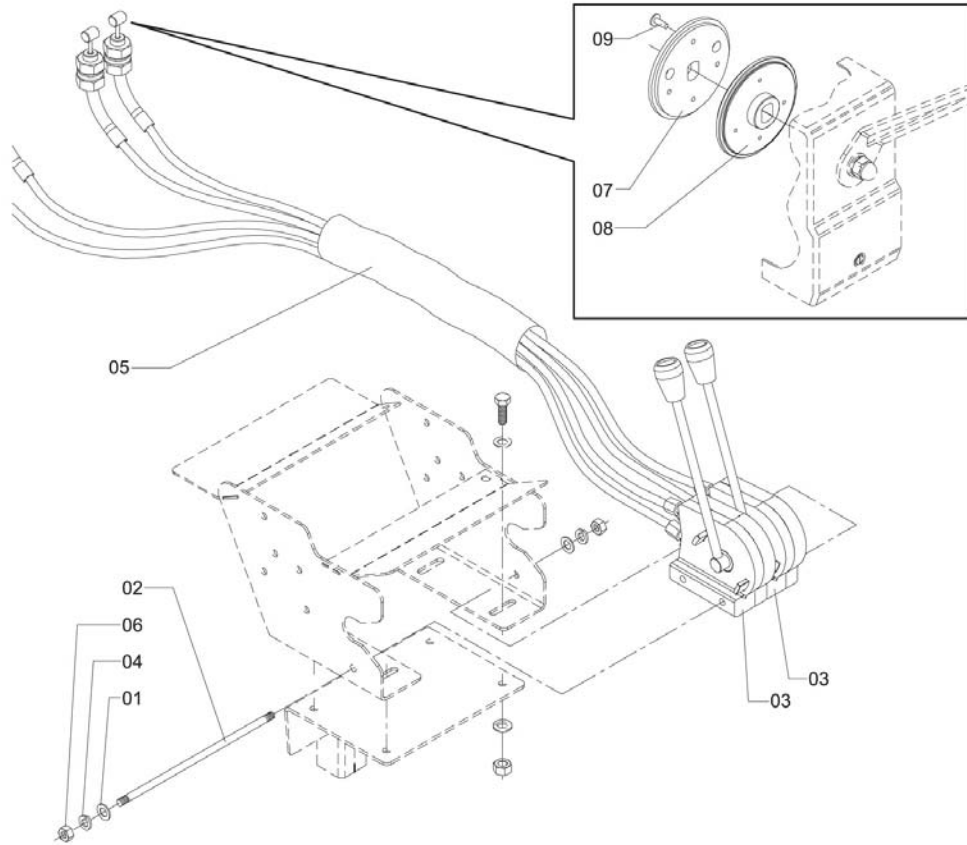


CV-85

Item	CODE	DESCRIPTION	Qty.	Item	CODE	DESCRIPTION	Qty.
00	998138	Safety valve	1				
01	079111	Safety valve body	1				
02	325290	O-ring OR1-112	1				
03	868364	Safety valve seat	1				
04	985127	Seal cell	1				
05	422600	Compression spring	1				
06	712554	Flat washer 68 x 160 x 12.4	1				
07	928754	O-ring OR2-123	1				
08	866244	Safety valve cover	1				
09	868646	Pressure gauge U-shaped clamp	1				

Controlled copy – Distribution and reproduction prohibited

CABLE ACTUATION BOX

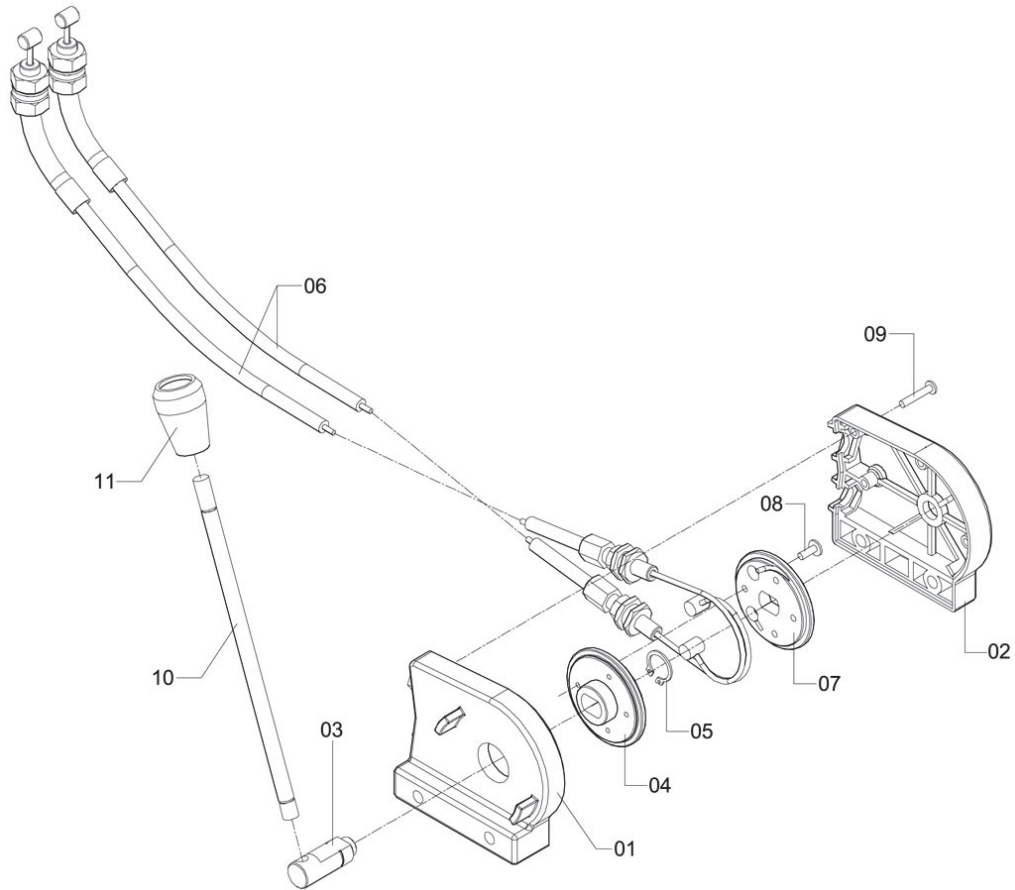


CV-635

Item	CODE	DESCRIPTION	Qty.	Item	CODE	DESCRIPTION	Qty.
00	036128	Cable actuation box	1				
01	358267	Flat washer 64 x 125 x 16	4				
02	976753	Stud bolt M6 x 230 x 1.00	2				
03	063438	Cable actuation box	2				
04	521666	Lock washer w5 - stainless steel	4				
05	074401	Protective hose 50 x 2200	1				
06	810689	Hex. nut M6 x 1 CL8	4				
07	966184	Large left sheave	2				
08	966192	Large right sheave	2				
09	997213	Flanged head screw 3.5 x 10	8				

Controlled copy – Distribution and reproduction prohibited

CABLE ACTUATION BOX

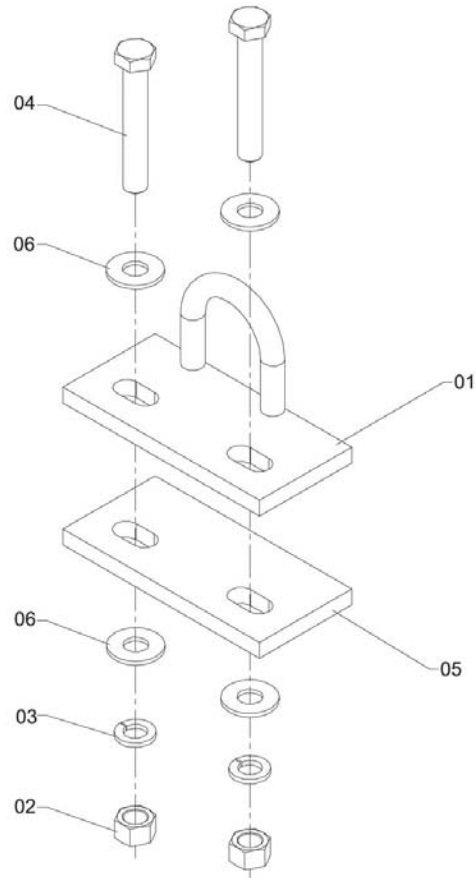


CV-87

Item	CODE	DESCRIPTION	Qty.	Item	CODE	DESCRIPTION	Qty.
00	063438	Cable actuation box	1				
01	879890	Box right lateral	1				
02	879882	Box left side	1				
03	879841	Sheaves shaft	1				
04	879791	Small right sheave	1				
05	997239	Snap ring for shaft \varnothing 14	1				
06	061689	Control flexible handgrip	2				
07	879783	Small left sheave	1				
08	997213	Flanged head screw 3.5 x 10	4				
09	878769	Screw 3.5 x 20	4				
10	879825	Lever rod	1				
11	998468	Grip	1				

Controlled copy – Distribution and reproduction prohibited

CLIP PLATE

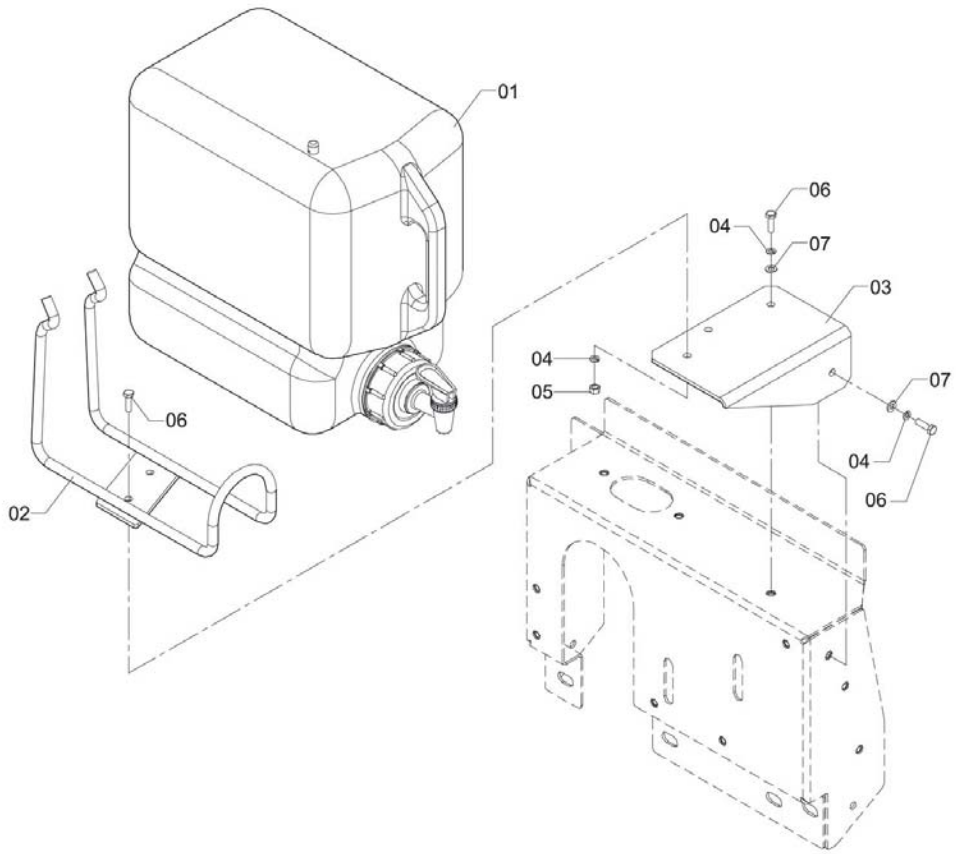


CXA-283

Item	CODE	DESCRIPTION	Qty.	Item	CODE	DESCRIPTION	Qty.
00	673798	Clip plate	1				
01	118208	Belt postioner	1				
02	742015	Nut M16 x 1.50	2				
03	764142	Lock washer M16	2				
04	764225	Screw M16 x 90 x 2.00	2				
05	819680	Chain holder clip plate	1				
06	881300	Flat washer 170 x 380 x 3.0	4				

Controlled copy – Distribution and reproduction prohibited

ASSEMBLY (15-LITER CONTAINER + SUPPORT)

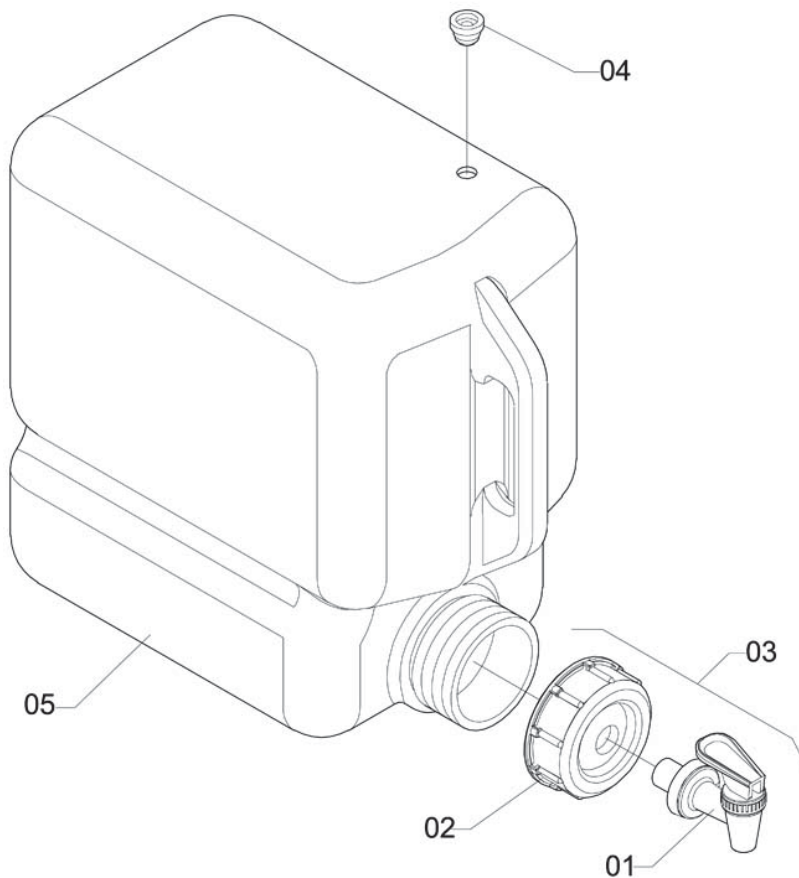


D-214

Item	CODE	DESCRIPTION	Qty.
00	387795	Assembly (15-Liter Container + Support)	1
01	299768	15-liter tank assembly	1
02	981019	15-liter tank support	1
03	387787	Tank base	1
04	519736	Lock washer ω	4
05	810770	Hex. nut M8 x 1.25	2
06	829382	Hex head bolt M8 x 25 x 1.25	4
07	013433	Flat washer ω 4.8 x 16 x 1.6 inox	2

Item	CODE	DESCRIPTION	Qty.

15-LITER TANK ASSEMBLY



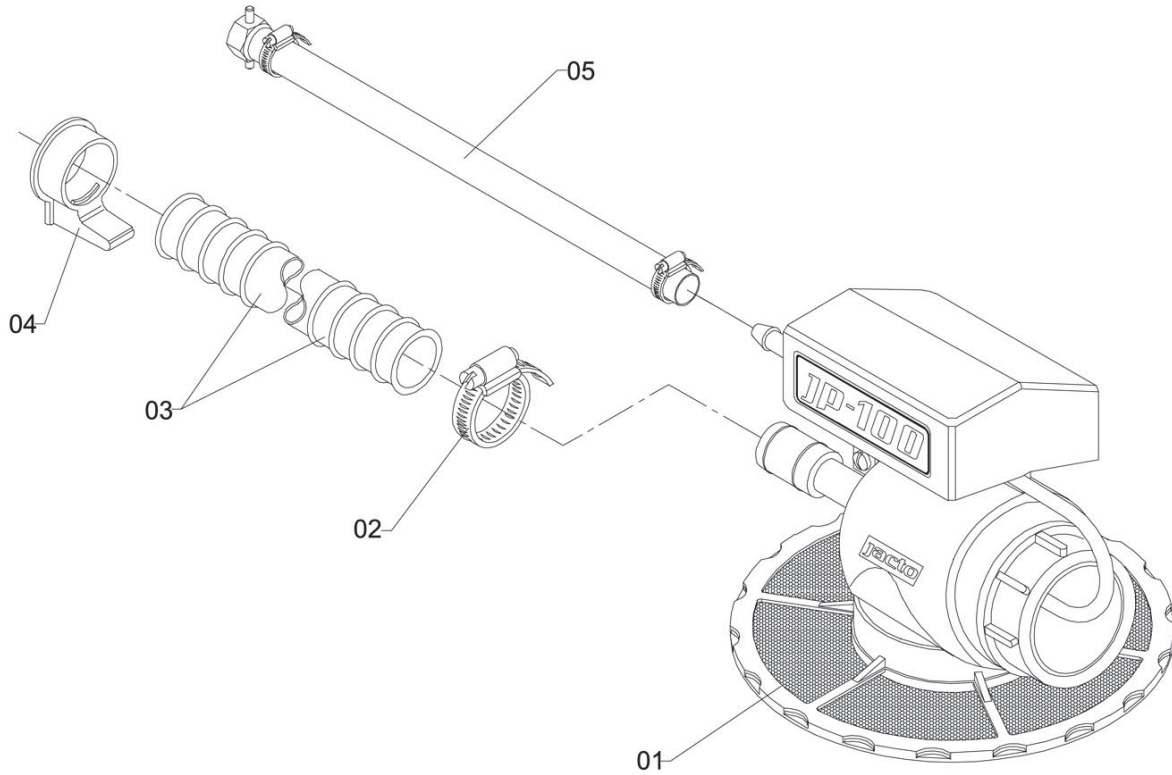
D-114

Item	CODE	DESCRIPTION	Qty.
00	299768	15-liter tank assembly	1
01	044180	Plastic tap 23 x 3/8" BSP	1
02	557462	Cover	1
03	619064	Cover with tap	1
04	247270	Breather	1
05	299875	15 liter tank	1

Item	CODE	DESCRIPTION	Qty.

Controlled copy – Distribution and reproduction prohibited

FILLER UNIT - 100 L/MIN. (10-METERS HOSE)



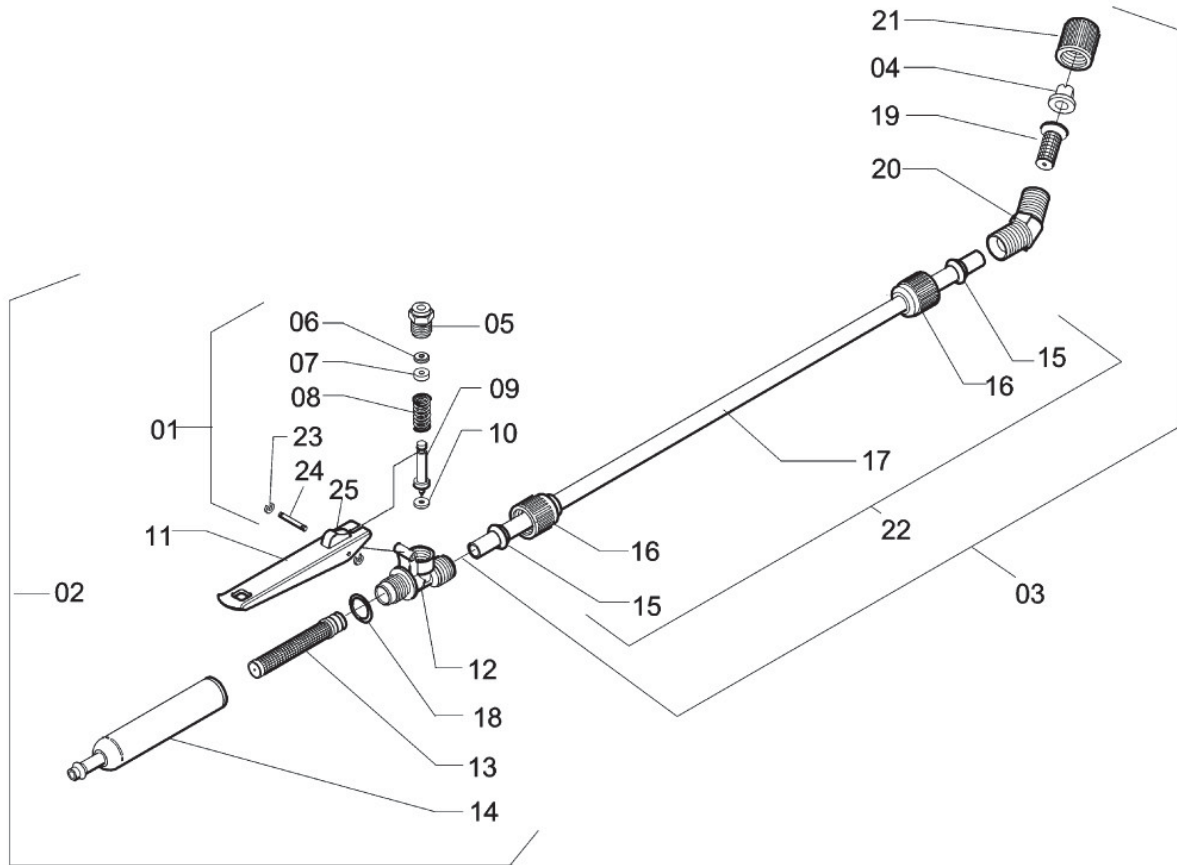
A-57

Item	CODE	DESCRIPTION	Qty.
00	457887	Filler unit - 100 L/min. (10-meters hose)	1
01	112268	Filler unit EJ-100 (without hose)	1
02	626580	Clamp D51-64	1
03	450130	Hose 2" x 10 (KE50)	1
04	455006	Hose bracket	1
05	462622	Hose - ш 1/2" x 10 meters with nozzle and plate nut	1

Item	CODE	DESCRIPTION	Qty.

Controlled copy – Distribution and reproduction prohibited

SPRAY LANCE ASSEMBLY

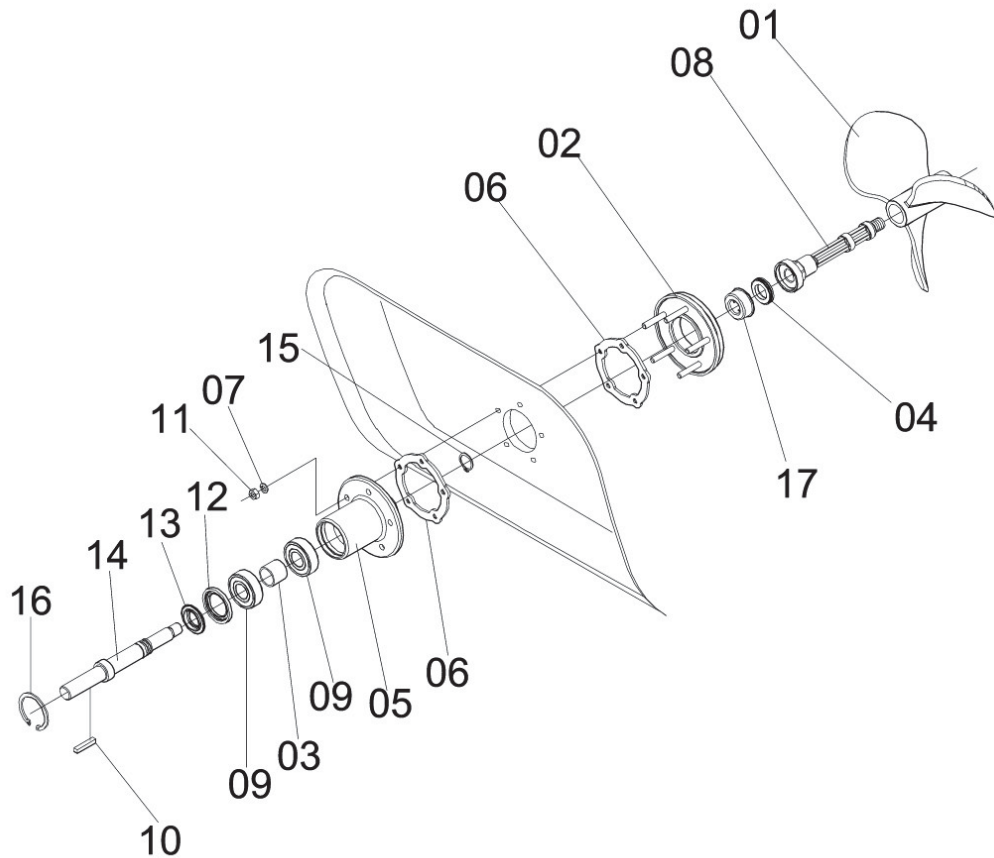


L-9

Item	CODE	DESCRIPTION	Qty.	Item	CODE	DESCRIPTION	Qty.
00	877522	Spray lance assembly	1				
01	105239	Trigger valve needle assembly	1				
02	727727	Trigger valve assembly	1				
03	877530	Spray lance 610	1				
04	454249	Nozzle EF-04 (red)	1				
05	727693	Trigger valve cap M-14	1				
06	300764	Seal w 9.6 x 5.0 x 35	1				
07	300756	Seat ring	1				
08	904284	Compression spring	1				
09	103358	Needle	1				
10	300731	Seal 30 x 88 x 25	1				
11	725275	Trigger	1				
12	724393	Trigger valve body	1				
13	825653	Filter w 12 x 90	1				
14	826958	Trigger valve handle	1				
15	909309	Cone packing	2				
16	915744	Screw cap	2				
17	336263	Lance tube 610	1				
18	120071	O-ring ORI - 015	1				
19	592139	Nozzle filter M40	1				
20	560649	Elbow	1				
21	229724	Nozzle cap	1				
22	568873	Extension 610	1				
23	831065	Lock ring	2				
24	817858	Trigger pin w 3.18 x 23	1				
25	727701	Locking button	1				

Controlled copy – Distribution and reproduction prohibited

MECHANICAL AGITATOR 2005 - 02

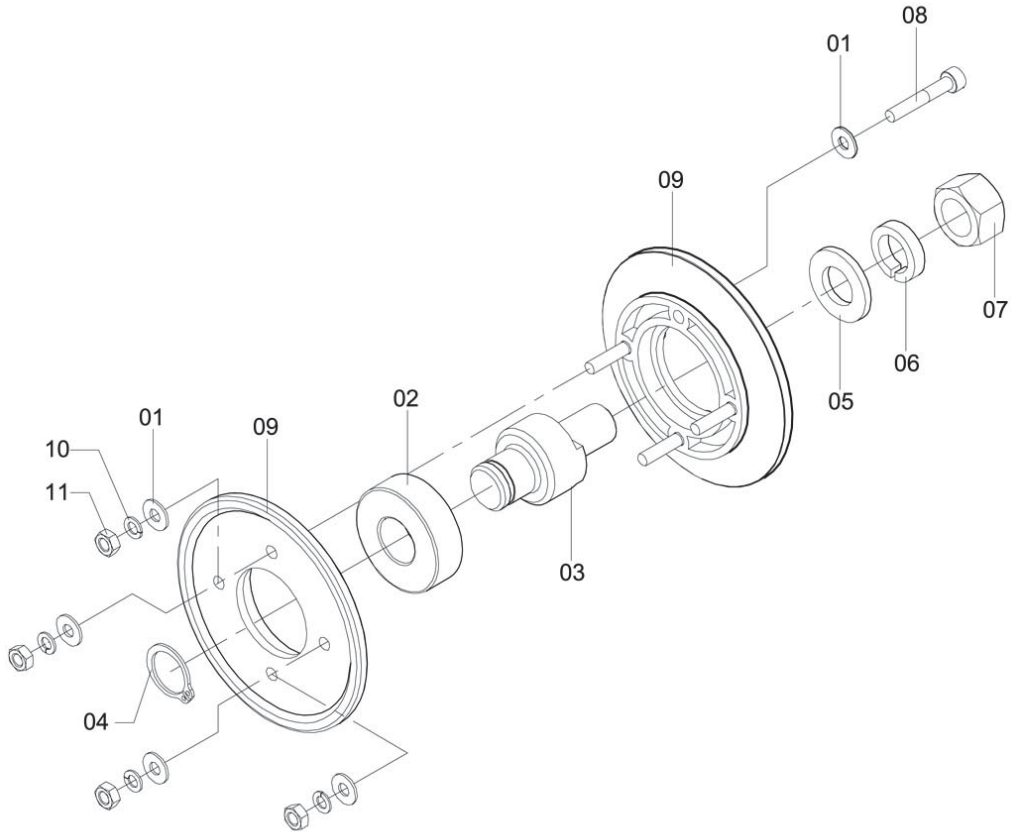


MM-27

Item	CODE	DESCRIPTION	Qty.	Item	CODE	DESCRIPTION	Qty.
00	543348	Mechanical agitator 2005 - 02	1				
01	102848	Agitator propeller	1				
02	345272	Internal flange	1				
03	408666	Bearing spacer bushing	1				
04	418046	Ceramic ring	1				
05	513838	Agitator body	1				
06	514612	Agitator seal joint	2				
07	521666	Lock washer \varnothing 5 - stainless steel	5				
08	559849	Propeller shaft	1				
09	603522	Fixed bearing with 1 ball career	2				
10	419416	Square key 3/16" x 38	1				
11	730309	Hex. nut M6 x 1.00 - Steel	5				
12	838201	Bearing internal protection	1				
13	850750	Bearing external protection	1				
14	813261	Agitator shaft	1				
15	913517	Snap ring for shaft \varnothing 17	1				
16	916775	Snap ring for hole \varnothing 40	1				
17	932038	Mechanic seal - Viton 42012 - stainless steel	1				

Controlled copy – Distribution and reproduction prohibited

TIGHTENING PULLEY ASSEMBLY 78-1A (SHAFT \varnothing 15 X 50,5)

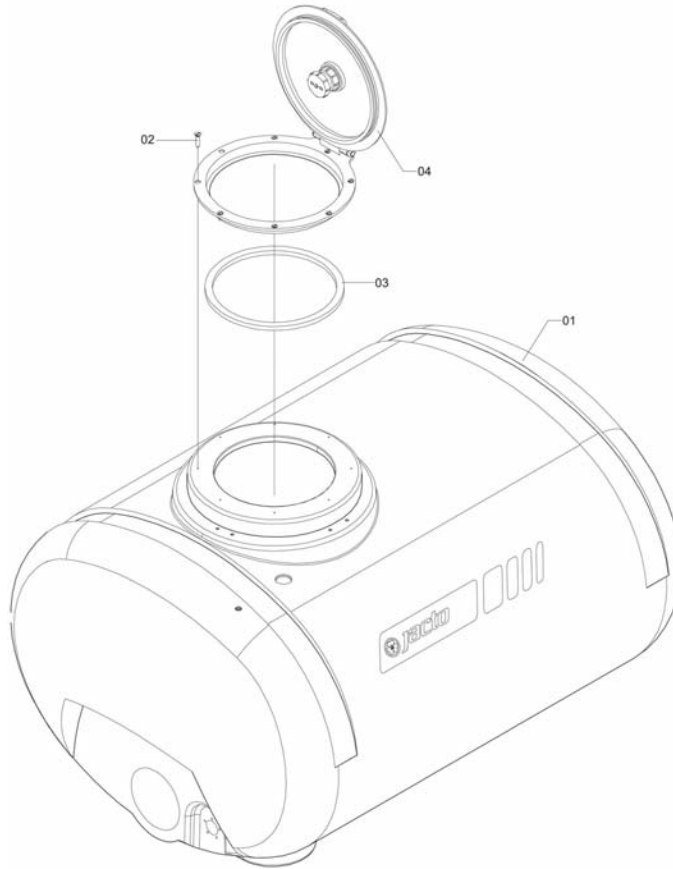


LE-14

Item	CODE	DESCRIPTION	Qty.	Item	CODE	DESCRIPTION	Qty.
00	645416	Tightening pulley assembly 78-1A (Shaft \varnothing 15 x 50,5)	1				
01	508515	Flat washer \varnothing 4,3 x 10,2 x 0,8 - stainless steel	8				
02	328781	Fixed bearing	1				
03	817627	Tightening pulley shaft 15 x 50.5	1				
04	910851	Snap ring for shaft 15	1				
05	818112	Flat washer 130 x 240 x 30	1				
06	908582	Lock washer 1/2"	1				
07	912790	Hex. nut 1/2" - 13 UNC	1				
08	1148396	Screw M4 X 0.7 MM 25 Comp	4				
09	644641	Pulley disk \varnothing 78 - 1A	2				
10	520700	Lock washer \varnothing 4,3 x 7,1 x 1	4				
11	551523	Hex. nut M-4 x 0.7 stainless steel	4				

Controlled copy – Distribution and reproduction prohibited

2000-LITER TANK WITH BASE (PLASTIC)

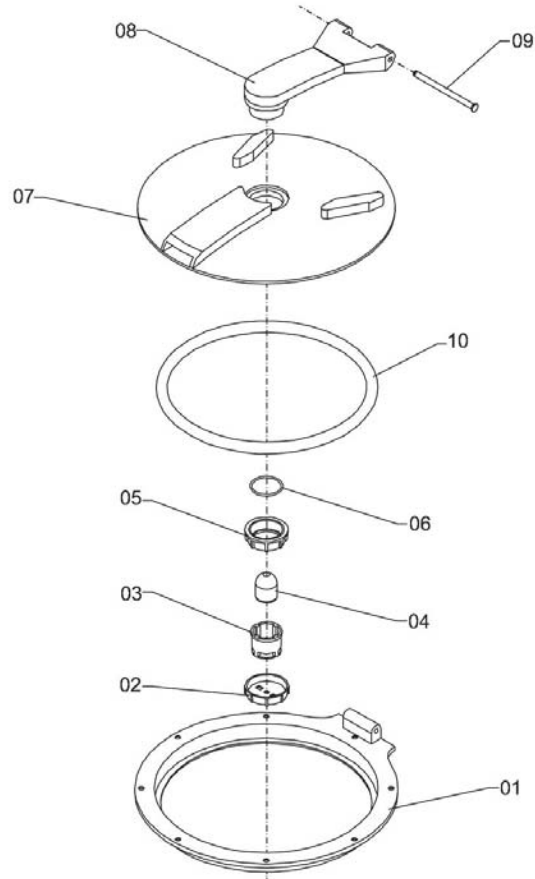


D-171

Item	CODE	DESCRIPTION	Qty.
00	466706	2000-liter tank with base (plastic)	1
01	191734	Tank 2000 Liter	1
02	062968	Self-tapping screw with slot	8
03	068014	Lid packing ARAG	1
04	752949	Italian lid	1

Item	CODE	DESCRIPTION	Qty.

ITALIAN LID

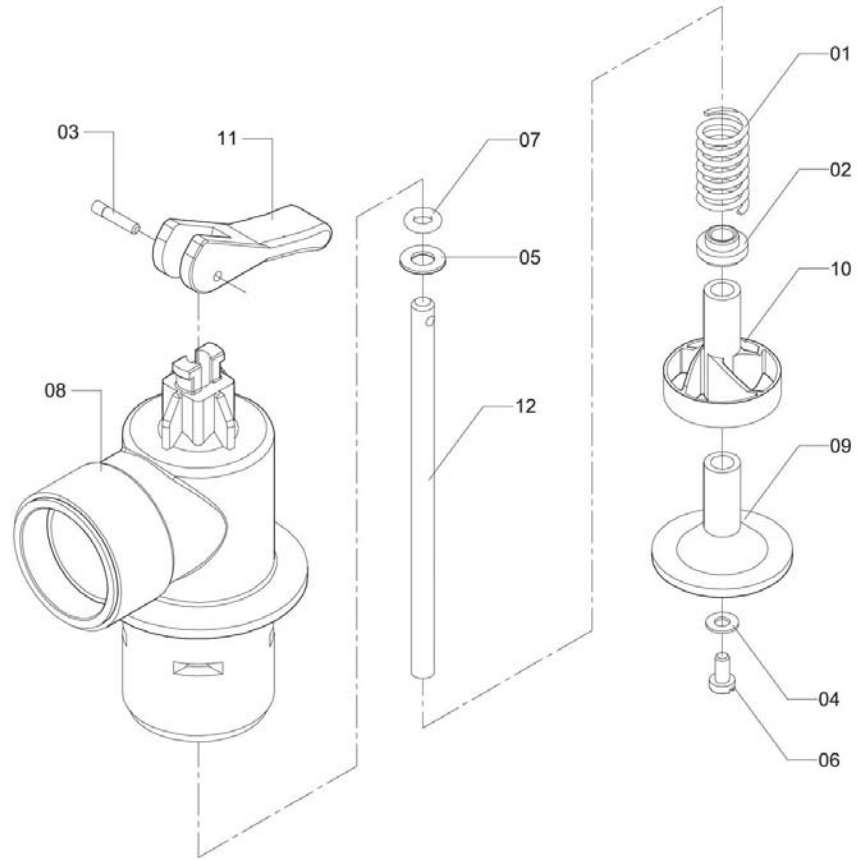


D-133

Item	CODE	DESCRIPTION	Qty.	Item	CODE	DESCRIPTION	Qty.
00	752949	Italian lid	1				
01	870279	Lid seat	1				
02	870295	Deflector	1				
03	870261	Breather assembly	1				
04	870253	Float	1				
05	870287	Coupling nut	1				
06	870220	Packing ring	1				
07	870238	Spray tank lid	1				
08	870204	Lid articulator	1				
09	870212	Articulation pin	1				
10	994863	Packing ring w/ 367 x 6.99	1				

Controlled copy – Distribution and reproduction prohibited

DIRECTIONAL VALVE



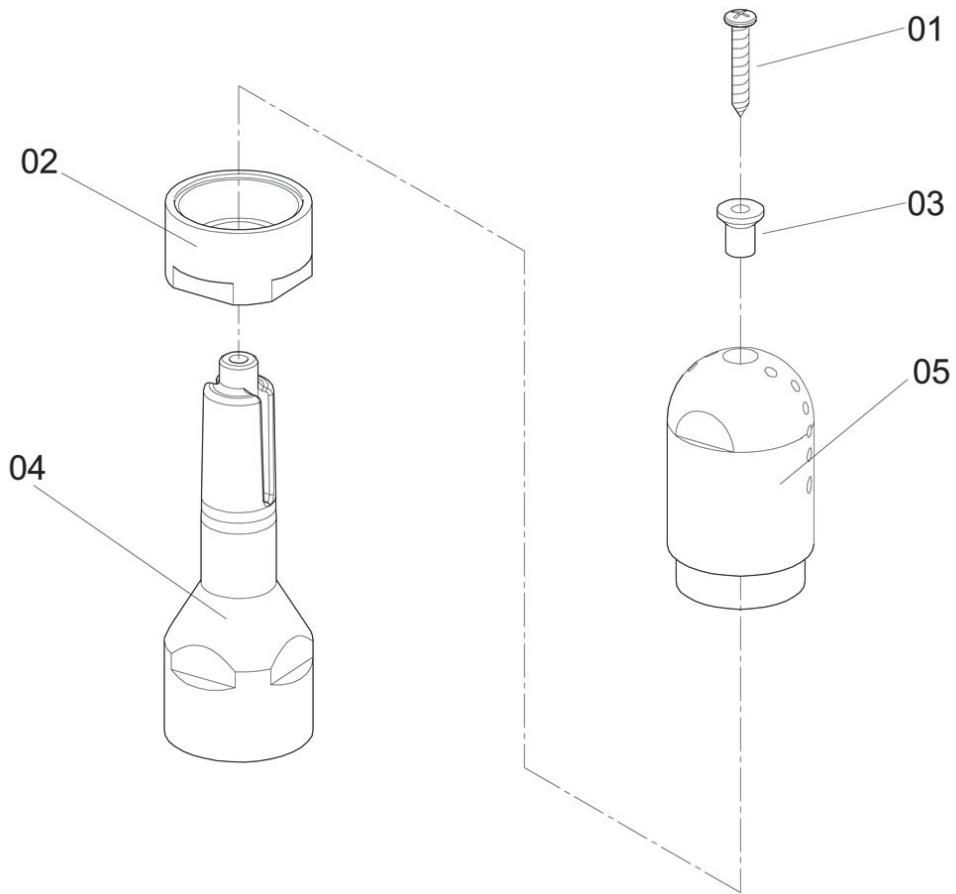
CV-167

Item	CODE	DESCRIPTION	Qty.
00	054395	Directional valve	1
01	044057	Compression spring 12.7	1
02	048199	Seal	1
03	049858	Lever pin	1
04	050187	Flat washer ω 4.3 x 9 x 0.8 - stainless steel	1
05	050195	Flat washer 64 x 125 x 95 stainless steel	1
06	050211	Screw M4 x 8	1
07	050237	O-ring OR2-108	1
08	054403	Valve body	1
09	054429	Piston cup	1
10	054437	Guide	1
11	054445	Rinse nozzle lever	1
12	054452	Spring Guide Pin	1

Item	CODE	DESCRIPTION	Qty.

Controlled copy – Distribution and reproduction prohibited

CHEMICAL CONTAINER RINSE NOZZLE

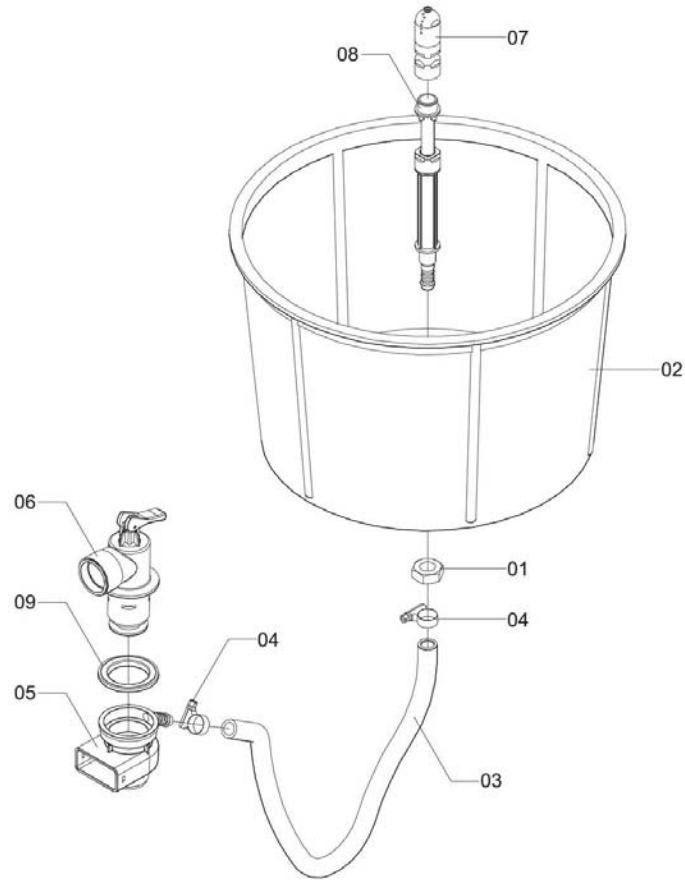


KIT-75

Item	CODE	DESCRIPTION	Qty.
00	071944	Chemical container rinse nozzle	1
01	997197	Screw 3.0 x 16	1
02	059055	Nozzle nut	1
03	061119	Bushing	1
04	058909	Nozzle core	1
05	060426	Nozzle body	1

Item	CODE	DESCRIPTION	Qty.

CHEMICAL CONTAINER RINSE NOZZLE KIT

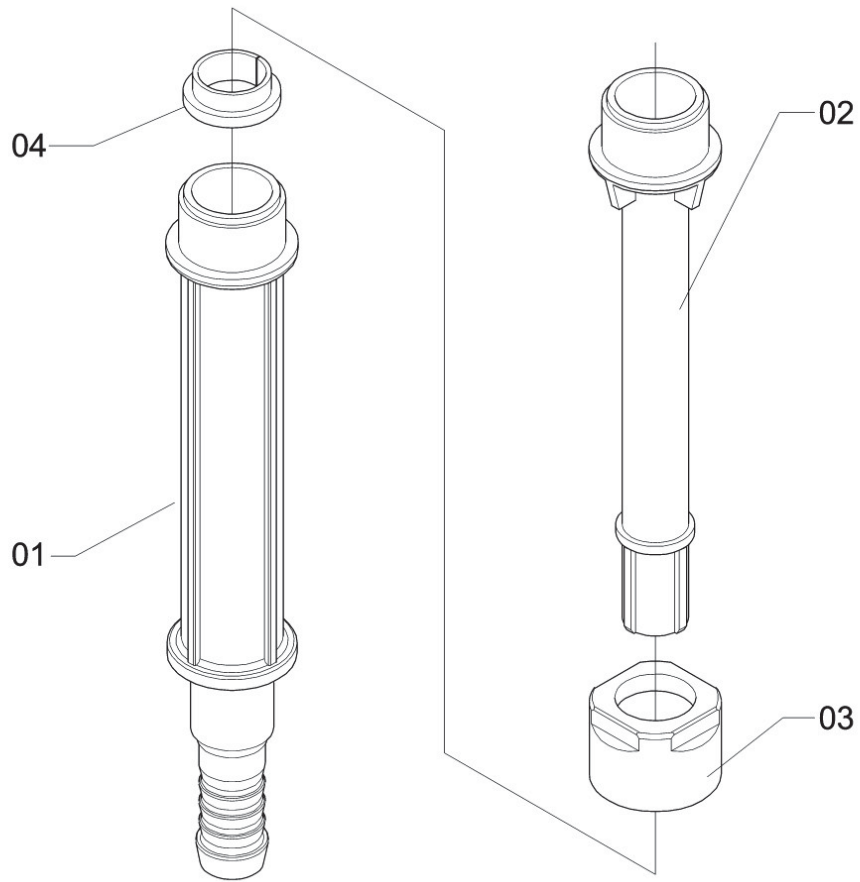


KIT-24

Item	CODE	DESCRIPTION	Qty.	Item	CODE	DESCRIPTION	Qty.
00	134239	Chemical container rinse nozzle kit	1				
01	938498	Hex. nut M16 x 2.00	1				
02	134007	Strainer	1				
03	071886	Hose 12.7 (1/2") x 600	1				
04	107664	Clamp D14-22 - stainless steel	2				
05	054411	Valve fastener	1				
06	054395	Directional valve	1				
07	071944	Chemical container rinse nozzle	1				
08	088237	Chemical container rinse nozzle rod	1				
09	088245	Packing ring	1				

Controlled copy – Distribution and reproduction prohibited

CHEMICAL CONTAINER RINSE NOZZLE ROD



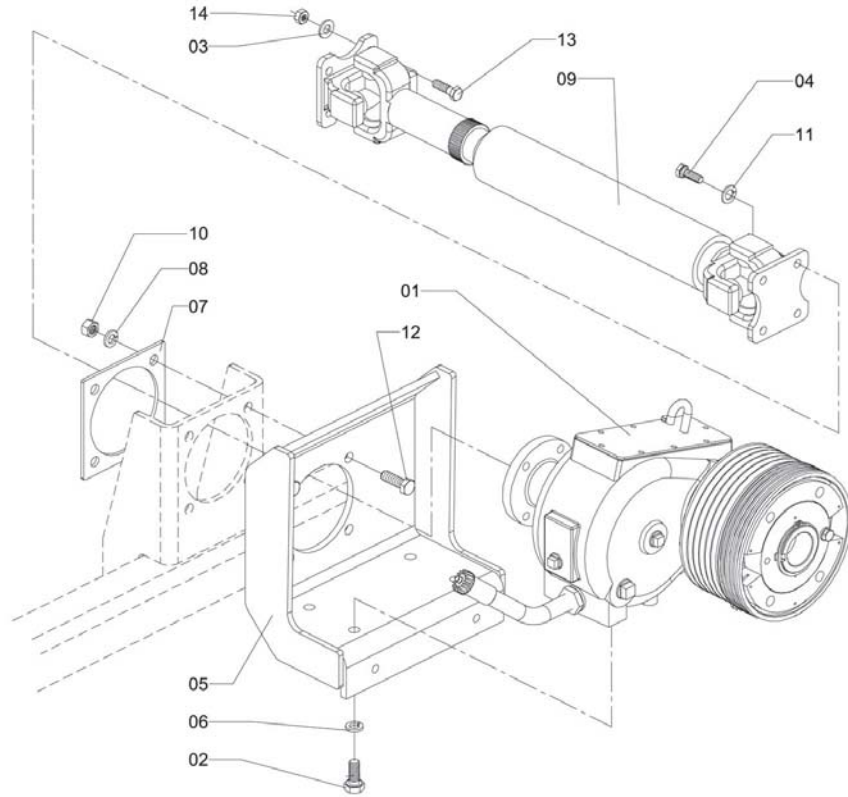
KIT-76

Item	CODE	DESCRIPTION	Qty.
00	088237	Chemical container rinse nozzle rod	1
01	058834	Nozzle rod	1
02	083907	Rod extension	1
03	087882	Extension nut	1
04	134221	Lock ring	1

Item	CODE	DESCRIPTION	Qty.

Controlled copy – Distribution and reproduction prohibited

DRIVE TRANSMISSION

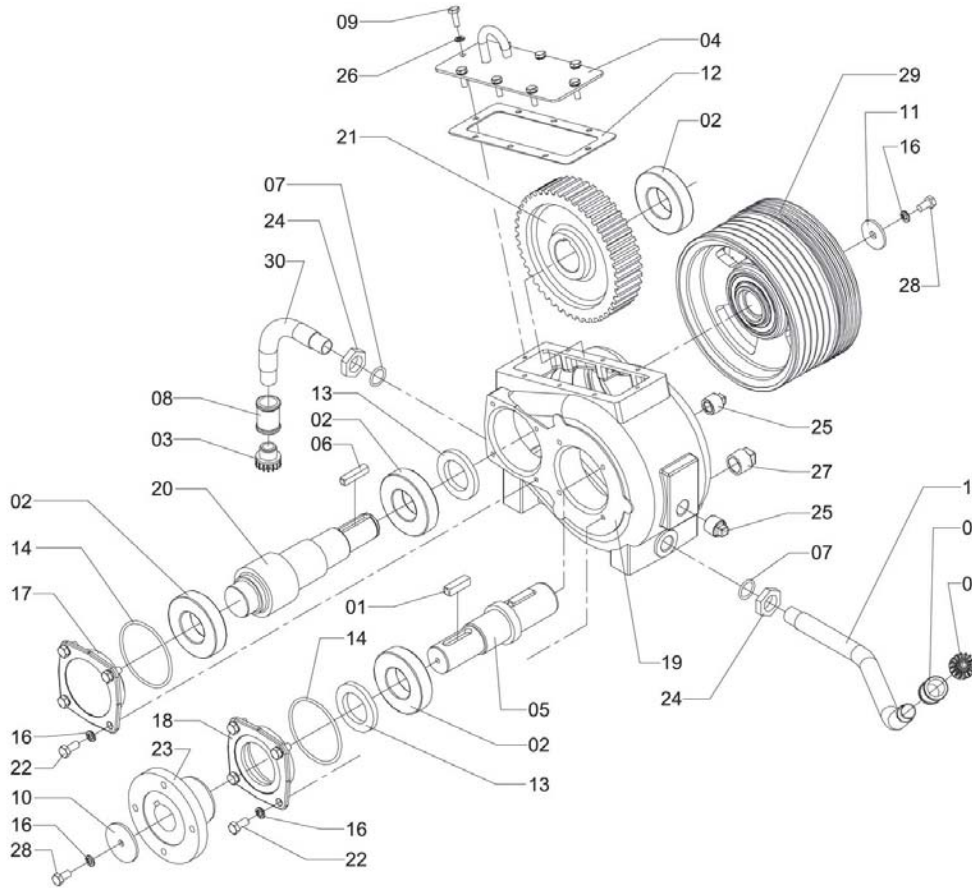


TMT-292

Item	CODE	DESCRIPTION	Qty.	Item	CODE	DESCRIPTION	Qty.
00	173948	Drive transmission	1				
01	278267	Multiplier assembly with pulley	1				
02	520205	Bolt 1/2" - 13 UNC x 1.1/4"	4				
03	623884	Flat washer ω 10.5 x 21 x 2 - stainless steel	4				
04	757559	Hex. bolt M10 x 30 x 1.25	4				
05	173955	Multiplier base	1				
06	908582	Lock washer 1/2"	4				
07	173997	Reinforcement plate	1				
08	209163	Lock washer M12	4				
09	173989	PTO shaft 1880	1				
10	427013	Nut ABTN - 1020 thread M12 x 1,5 CL8	4				
11	209395	Lock washer M10	4				
12	383802	Hex. bolt M12 x 40 x 1,50	4				
13	168054	Hexagonal head bolt M10 x 40 x 1.25	4				
14	362368	Hexagonal Nut Parlock M10 x 1,25	4				

Controlled copy – Distribution and reproduction prohibited

MULTIPLIER ASSEMBLY WITH PULLEY

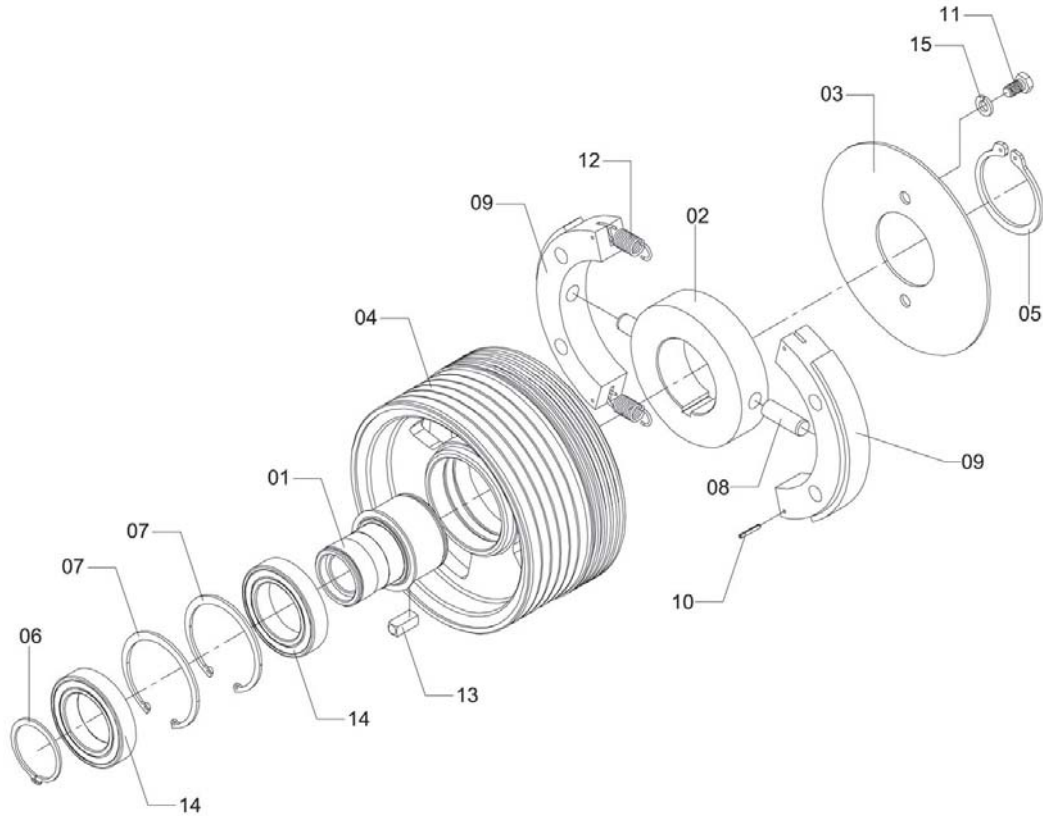


CM-10

Item	CODE	DESCRIPTION	Qty.	Item	CODE	DESCRIPTION	Qty.
00	278267	Multiplier assembly with pulley	1	30	175307	Drain Duct	1
01	108936	Square key 9.53 (3/8") x 35	2				
02	203737	Fixed bearing	4				
03	213736	Plug 1/2" BSP	2				
04	213801	Cover	1				
05	324608	Drive shaft	1				
06	324624	Square key 7.94 (5/16") x 40	1				
07	210146	O-ring OR1-117	2				
08	430553	Sleeve 1/2" BSP	2				
09	441030	Bolt \varnothing 1/4" - 20 UNC x 5/8"	8				
10	507665	Flat washer 82 x 506 x 30	1				
11	507855	Flat washer 103 x 375 x 30	1				
12	114439	Packing	1				
13	516567	Retainer 40 x 62 x 7	2				
14	516575	O-ring ORI-235	2				
15	1198031	Filling duct	2				
16	519736	Lock washer \varnothing	10				
17	627737	Cover	1				
18	627745	Multiplier cover with hole	1				
19	627778	Multiplier body	1				
20	627786	Multiplier driven shaft	1				
21	627794	Drive gear	1				
22	663153	Hex. bolt 5/16" - 18 UNC x 3/4"	8				
23	174003	Hub 117	1				
24	715722	Lock nut \varnothing 1/2" - 14 BSP	2				
25	812057	Plug \varnothing 1/2" BSP	2				
26	910117	Lock washer 1/4"	8				
27	910687	Plug \varnothing 3/4" BSP	1				
28	910794	Hex. bolt 5/16" - 24 UNF x 5/8"	2				
29	174011	Drive Pulley with Gear	1				

Controlled copy – Distribution and reproduction prohibited

DRIVE PULLEY WITH GEAR

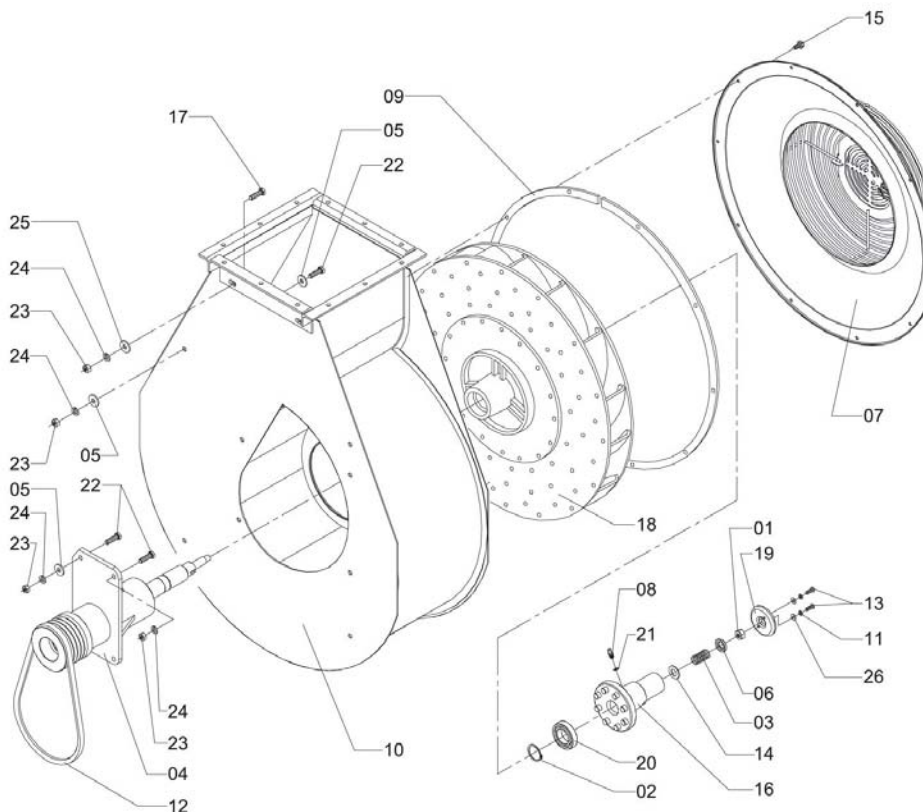


TMT-291

Item	CODE	DESCRIPTION	Qty.	Item	CODE	DESCRIPTION	Qty.
00	174011	Drive Pulley with Gear	1				
01	174029	Driven Shaft Bush	1				
02	174037	Drive hub (hole \varnothing 65)	1				
03	174045	Protection Disk	1				
04	174052	Pulley \varnothing 200-6-3V	1				
05	174078	Snap ring for shaft \varnothing 65	1				
06	203729	Snap ring for shaft \varnothing 50	1				
07	324145	Snap ring for hole \varnothing 80	2				
08	435438	Pin 40	2				
09	435578	Centrifugal braking driver	2				
10	917369	Flexible pin (heavy) 3 x 22	4				
11	910620	Bolt \varnothing 3/8" - 16 UNC x 5/8"	2				
12	728923	Traction spring \varnothing 15 x LO= 47	2				
13	814210	Square key 3/8" x 25	1				
14	839514	Fixed bearing	2				
15	908566	Lock washer 3/8"	2				

Controlled copy – Distribution and reproduction prohibited

FAN

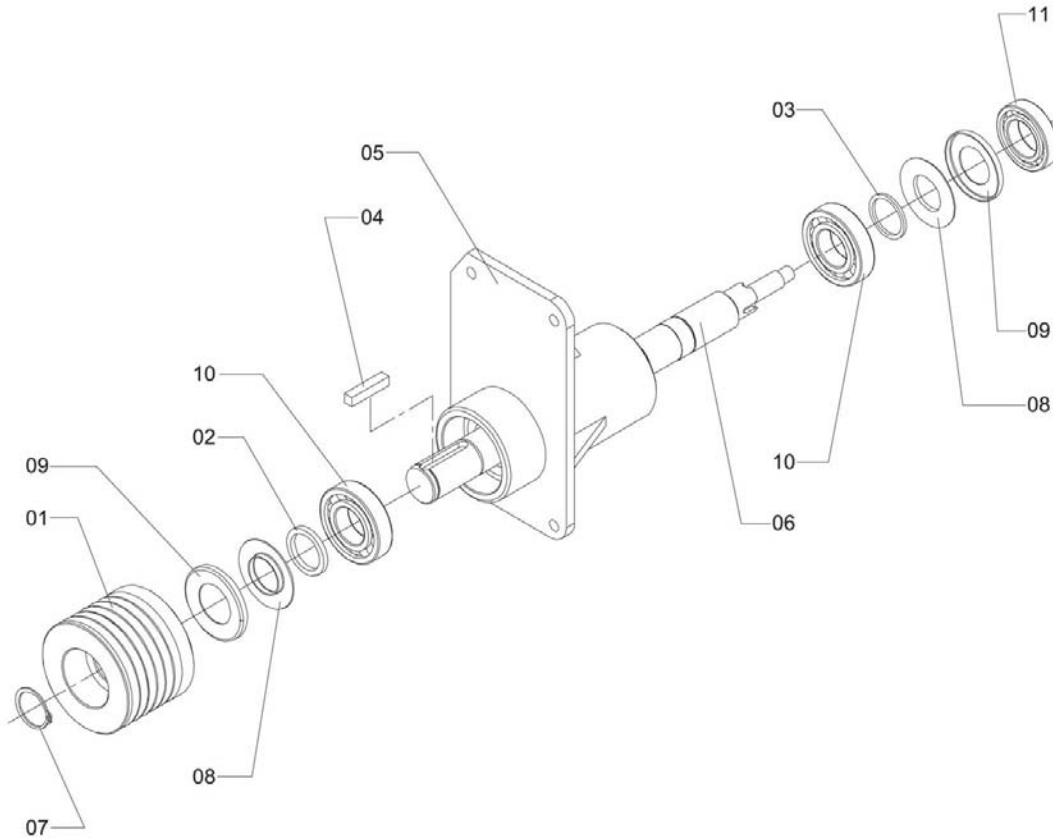


V-40

Item	CODE	DESCRIPTION	Qty.	Item	CODE	DESCRIPTION	Qty.
00	174086	Fan	1				
01	108787	Nut DODI-LOC \varnothing 1/2" - 13 UNC	1				
02	203067	Snap ring for shaft \varnothing 35	1				
03	204537	Compression spring	1				
04	265413	Fan bearing assembly	1				
05	416735	Flat washer 100 x 260 x 30	16				
06	425892	Spring seat ring	1				
07	434084	Fan housing cover	1				
08	111245	Grease nipple 1/4" x 28 UNF x 45	1				
09	518100	Packing 15 x 2000 x 8.00	1				
10	518605	Fan housing	1				
11	520676	Lock washer \varnothing 5	2				
12	615815	Trapeze belt	6				
13	007179	Screw 3/16" UNC x 5/8"	2				
14	881243	Flat washer \varnothing 17 x 30 x 1,9 - stainless steel	1				
15	910745	Self-locking screw \varnothing 1/4" x 3/4"	10				
16	177055	Grooved hub with hitch	1				
17	936146	Bolt M10 x 1.25 x 35 CL 8.8	4				
18	989129	Fan rotor	1				
19	201087	Disc \varnothing 70	1				
20	202549	Fixed bearing	1				
21	731083	Ring \varnothing 6.45 x \varnothing 7.94 x 2	1				
22	757559	Hex. bolt M10 x 30 x 1.25	16				
23	907030	Hex. nut M10 x 1.25	16				
24	209395	Lock washer M10	16				
25	623884	Flat washer \varnothing 10.5 x 21 x 2 - stainless steel	4				
26	979237	Flat washer 5,30 x 10,0 x 1,0	2				

Controlled copy – Distribution and reproduction prohibited

FAN BEARING ASSEMBLY

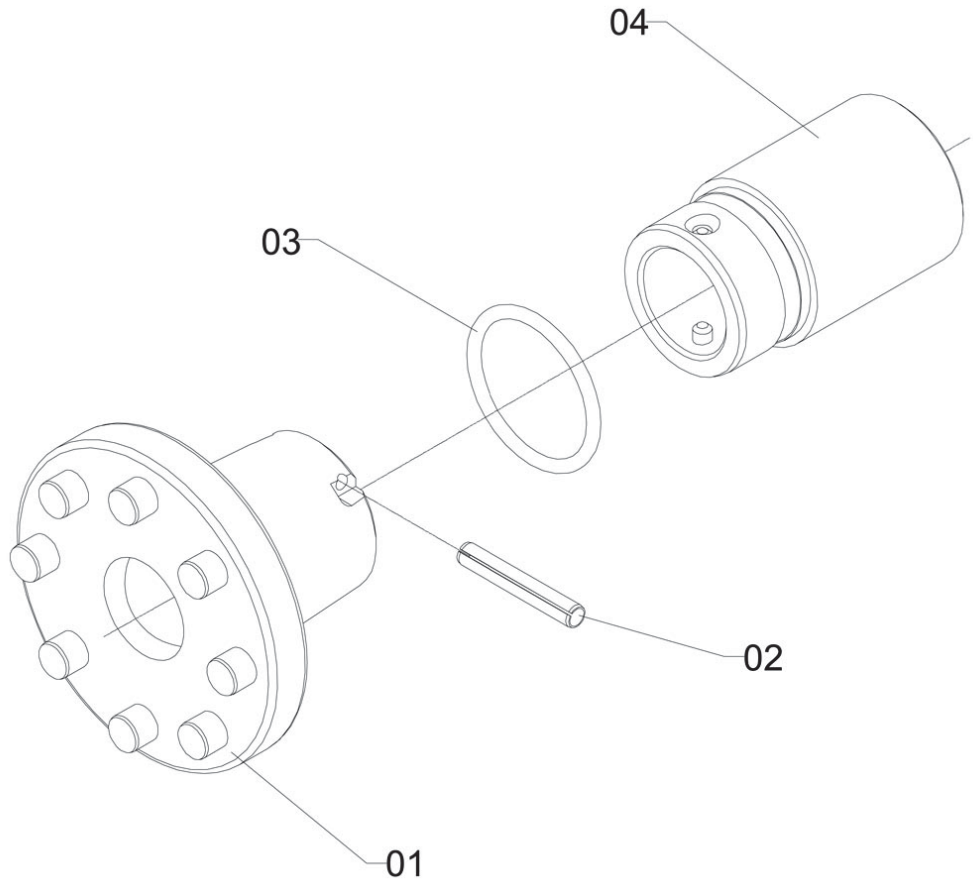


TMV-91

Item	CODE	DESCRIPTION	Qty.	Item	CODE	DESCRIPTION	Qty.
00	265413	Fan bearing assembly	1				
01	174094	Pulley w 105-6-3V	1				
02	518118	Spacer ring	1				
03	518126	Spacer ring 42.2 x 2.7	1				
04	519793	Square key - 9.53 (3/8") x 45	1				
05	820324	Pillow block body	1				
06	984187	Shaft 446	1				
07	203067	Snap ring for shaft w 35	1				
08	328039	Internal protection	2				
09	328047	External protection	2				
10	328062	Bearing no. 6207 SKF	2				
11	202549	Fixed bearing	1				

Controlled copy – Distribution and reproduction prohibited

GROOVED HUB WITH HITCH

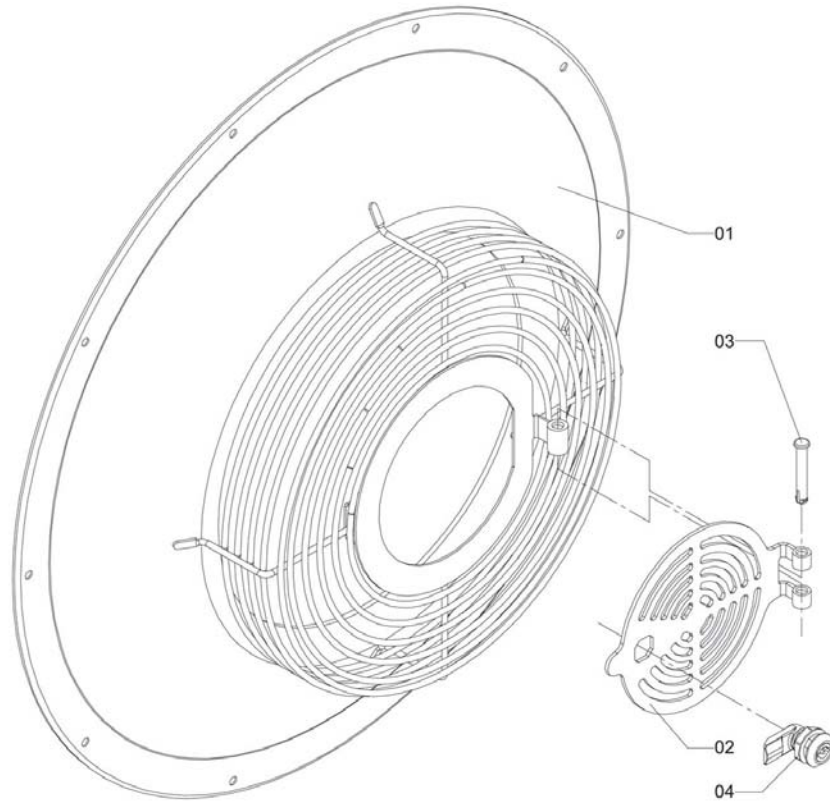


TMV-52

Item	CODE	DESCRIPTION	Qty.
00	177055	Grooved hub with hitch	1
01	018713	Grooved hub with pins	1
02	427567	Flexible pin \varnothing 5 x 32	1
03	011643	O-ring ORI-129	1
04	201103	Coupling hub	1

Item	CODE	DESCRIPTION	Qty.

FAN HOUSING COVER



V-41

Item	CODE	DESCRIPTION	Qty.
00	434084	Fan housing cover	1
01	018457	Fan housing cover	1
02	1165899	Grid unlck	1
03	847912	Chemical mixer articulator pin	1
04	1169820	Plastic stop latch key	1

Item	CODE	DESCRIPTION	Qty.

Controlled copy – Distribution and reproduction prohibited

STICKER: DRAWBAR ADJUSTMENT (SPANISH)

01

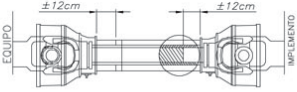


CUIDADO

**REGULACIÓN DE LA BARRA DE TRACCIÓN
EN RELACIÓN CON LA TOMA DE FUERZA**



MONTAJE IDEAL: Distancia A=B o lo más próximo posible. Ej.: Si A=40cm, B=35 o 45cm.
 Cardán Homocinético: Montaje B: lo menor posible (Barra de tracción recogida "D");
 Montaje A: lo mayor posible (pieza C toda montada hacia fuerza).



Holgura necesaria después de la regulación de la barra de tracción (cortar el macho, la hembra y la tapa protectora proporcionalmente).

SI SU EQUIPO NO CUENTA CON CARDÁN HOMOCINÉTICO, DESCONECTE LA TOMA DE FUERZA AL HACER MANIOBRAS O CURVAS.

ADS-141

Item	CODE	DESCRIPTION	Qty.	Item	CODE	DESCRIPTION	Qty.
00	219717	Sticker: Drawbar adjustment (Spanish)	1				
01	219717	Sticker: Drawbar adjustment (Spanish)	1				

STICKER: DRAWBAR ADJUSTMENT (PORTUGUE)

01

! CUIDADO

REGULAGEM DO PONTO DE ENGATE DO TRATOR EM RELAÇÃO A TOMADA DE FORÇA.



Montagem ideal, distância A=B ou mais próxima possível.
Ex.: Se A=40cm, B=35 a 45cm.
Cardan Homocinético: Montagem B: menor possível (Barra de tração recolhida "D");
Montagem A: maior possível (peça C toda montada para fora).



Folga necessária após a regulagem da barra de tração (cortar o macho, a fêmea e a capa protetora proporcionalmente).


CASO SUA MÁQUINA NÃO ESTEJA EQUIPADA COM CARDAN HOMOCINÉTICO, DESLIGUE A TOMADA DE FORÇA AO FAZER MANOBRAS OU CURVAS.

ADS-139

Item	CODE	DESCRIPTION	Qty.	Item	CODE	DESCRIPTION	Qty.
00	728113	Sticker: Drawbar adjustment (Portugue)	1				
01	728113	Sticker: Drawbar adjustment (Portugue)	1				

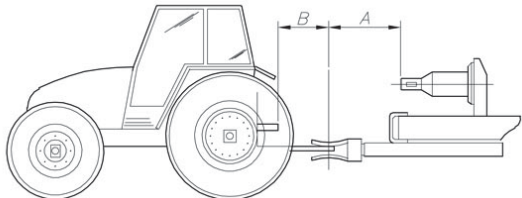
STICKER: DRAWBAR ADJUSTMENT (ENGLISH)

01

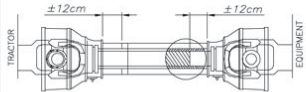


CAUTION

DRAW BAR ADJUSTMENT IN RELATION TO PTO



Proper Assembly: distance A = B or the closest possible.
Ex.: if A = 40 cm, then B = 35 to 45 cm.



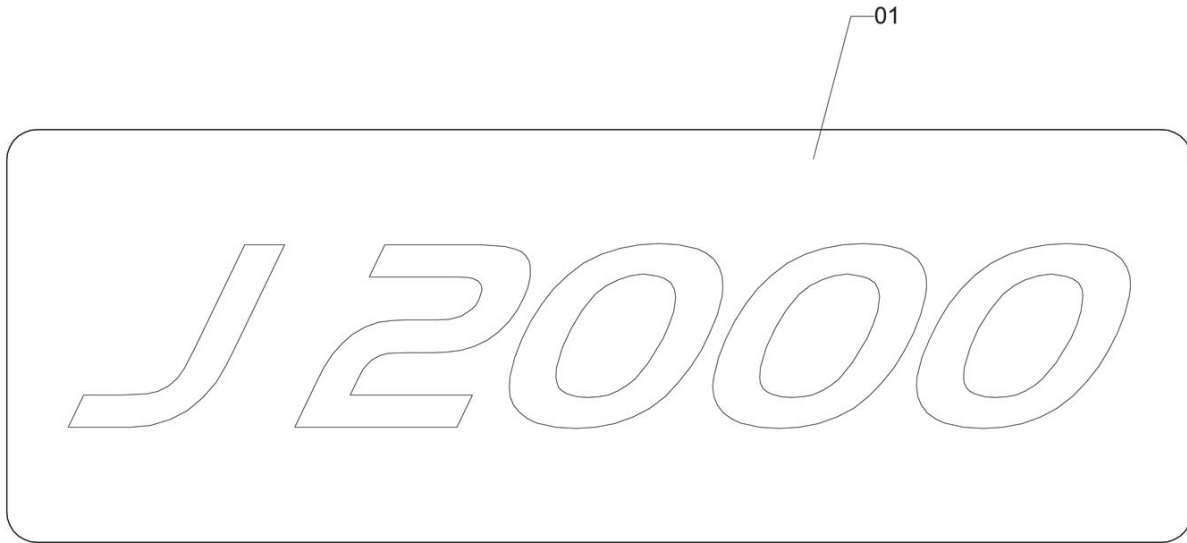
Required slack after drawbar adjustment (cut male, female and guard cap proportionally).

IF YOUR MACHINE IS NOT EQUIPPED WITH A
"CONSTANT VELOCITY" DRIVE SHAFT, TURN
OFF PTO WHEN TURNING OR MANEUVERING.

ADS-142

Item	CODE	DESCRIPTION	Qty.	Item	CODE	DESCRIPTION	Qty.
00	219709	Sticker: Drawbar adjustment (English)	1				
01	219709	Sticker: Drawbar adjustment (English)	1				

STICKER: (J2000)



ADS-207

Item	CODE	DESCRIPTION	Qty.
00	1180074	Sticker: (J2000)	1
01	1180074	Sticker: (J2000)	1

Item	CODE	DESCRIPTION	Qty.

Controlled copy – Distribution and reproduction prohibited

DECAL (J2000)



ADS-208

Item	CODE	DESCRIPTION	Qty.
00	1179675	Decal (J2000)	1
01	1179675	Sticker: (J-2000)	1

Item	CODE	DESCRIPTION	Qty.
------	------	-------------	------

Controlled copy – Distribution and reproduction prohibited

STICKER - "ANTI-FREEZING TEST OK"



ADS-99

Item	CODE	DESCRIPTION	Qty.	Item	CODE	DESCRIPTION	Qty.
00	1152793	Sticker - "Anti-freezing test OK"	1				
01	1152793	Sticker - "Anti-freezing test OK"	1				

Controlled copy – Distribution and reproduction prohibited